

Illustrated Parts Catalog

HMM-408-B

Origin 2000™, Onyx2™, Cray® Origin 2000, and MetaRouter Systems
Last Modified: December 1999

Record of Revision	3
Introduction	5
Notational Conventions Used in this Catalog	5
Assembly Numbers	5
Manufacturing Numbers	7
Reference Documents	8
Panels, Covers, and Hardware	9
<hr/>	
Origin 2000 Deskside Panels/Covers	10
Origin 2000 Rackmount Panels/Covers	11
Onyx2 Deskside Panels/Covers	12
Onyx2 Rackmount Panels/Covers	13
MetaRouter Panels/Covers	14
Rack Hardware	15
Power, Cooling, and System Controller Components	17
<hr/>	
Power and Cooling Components	18
Power Cables	19
System Controllers	22
System Controller Cables	23
Boards	25
<hr/>	
Midplanes	26
Node Boards	27
Memory DIMMs	28
Router Boards	29
Router Board/CrayLink Cables	30

Graphics Boards	31
Graphics Board Cables	32
XIO Options	33
XIO Option Cables	35
XIO-to-VME Adapter Options	36
XIO-to-VME Adapter Cables	37
PCI Options	38
SCSI Options	41
Origin Vault SCSI Options	42
Origin Vault SCSI Option Cables	44
Media Devices	47
Hard Drives	48
CD-ROM Drive	49
Tape Drives	50
DLT2000XT Internal Option	50
DLT2000XT External Option	51
DLT7000 Tape Option	52
DLT25XT Option	53
4MM DAT Options	54
8MM 7GB Option	55
DDS-3 DAT Internal	56
Fibre Channel Disk Options	57
Fibre Channel Disk	57
Workstations, Monitors, and Associated Components	61
O2 Panels/Covers	62
O2 Internal Components	63
Monitor Options	64
Keyboard Options	65
Accessories	66

Cables	67
Hardware Maintenance Tools	69
<hr/>	
Tools List	70

Record of Revision

April 1998

Original printing.

Revision A: December 1998

This revision adds the following part numbers:

- 050-0510-001 - Origin 2000 Rackmount Panels/Covers, Onyx2 Rackmount Panels/Covers, and MetaRouter Panels/Covers subsections
- 9470248 - Power and Cooling Components subsection
- 9470235 - System Controllers subsection
- 030-0782-001 - Memory DIMMs subsection
- 030-1398-001 and 013-2464-001 - Graphics Boards subsection
- 018-0649-001 - XIO-to-VME Adapter Options subsection
- 013-1659-001 - PCI Options subsection
- 9470221 and 9270222 - Origin Vault SCSI Options subsection
- 013-2324-001 - Hard Drives subsection
- 80049700 and 80051000 - Tools List section

This revision updates the following part numbers:

- 013-1645-002 - Origin 2000 Deskside Panels/Covers subsection
- 040-1895-003 - System Controllers subsection
- 80032100 - Tools List section

This revision also makes the following changes:

- 013-2241-002 - Moved from Router Board subsection to Node Board subsection and removed part numbers 013-2243-001, 013-2258-001, and 013-2261-001 from the Node Board subsection
- 030-1112-001 - Removed from Router Boards subsection
- 030-1213-003 and 030-1221-003 - Moved from XIO Options subsection to XIO-to-VME Adapter Options subsection
- Added the XIO-to-VME Options subsection
- 030-1026-001 - Removed from the PCI Options subsection

Revision B: December 1999

This revision updates information about the following part numbers:

- 050-0308-101 Connector Cover Rack, Eggplant
- 013-2477-002 Assy, DG5-2/DD03 (DPLEX)
- 013-2688-002 DG5-2/HD TVO
- 013-2954-001 Assy, RM9/TM8-256
- 013-2988-001 XT-HD Bulkhead Assy
- 013-2799-001 GSN IO Panel Assy
- 030-1452-003 PCA XIO TPU

Introduction

This illustrated parts catalog helps service personnel identify the part numbers of Origin 2000, MetaRouter, and Onyx2 system components that they need to replace. Replacement parts are stocked in the Silicon Graphics Logistics department. To order replacement parts, enter the appropriate part numbers in the *Clarify* system.

The part numbers in this catalog are subject to change without notice. However, the parts ordering system helps ensure shipment of the most up-to-date parts.

You may access the latest version of this illustrated parts catalog at the Service Publications and Training Web site: <http://servinfo.csd.sgi.com>. You can use the site's search tools to help you locate part information quickly.

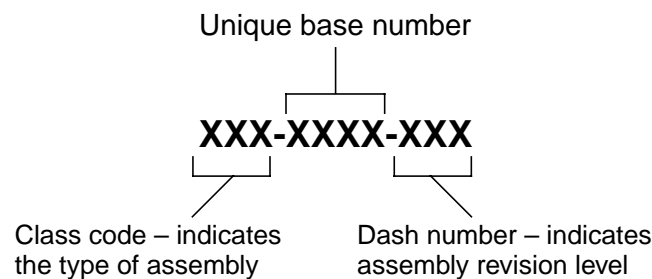
Notational Conventions Used in this Catalog

Origin 2000, MetaRouter, and Onyx2 cabinets share numerous components; however, some components are specific to certain system types. To help clarify part usage, the part-description tables in this catalog contain *Where Used* columns that list the system types where the components are used. The cabinet types are abbreviated as described in the following list:

- O2K designates that a component is used in Origin 2000 cabinets.
- OX2 designates that a component is used in Onyx2 cabinets.
- MR designates that a a component is used in MetaRouter cabinets.
- DS designates that a component is used in deskside systems only.

Assembly Numbers

Assembly numbers identify collections of parts that compose a logical assembly. The assembly number format is XXX-XXXX-XXX, which is explained in the following figure.



Note: Certain configurations require specific assembly revisions. Check with your support representative to match assembly revisions with a specific system configuration.

Assembly numbers are most relevant to field service because Logistics typically stocks replacement parts at this level and calls them field-replaceable units (FRUs). Only a limited number of assemblies are available as FRUs, however. [Table 1](#) provides a partial list of assembly class codes.

Table 1. Assembly Class Codes – Partial List

Class	Description
000-	Workstation
007-	Manual (hard copy)
008-	Manual (online)
013-	Assembly Drawing, Spare Assembly
015-	Harness Assembly
018-	Cable Assembly
024-	Label (custom)
030-	PCA, Tested (printed circuit assembly)
034-	PCB FAB (printed circuit board - i.e., the bare board)
040-	Sheet Metal
041-	SGL Customized Commercial Product
050-	Plastic
060-	Power Module
070-	PAL/PROM Assembly
090-	Shipping, Packaging
098-	Custom IC
099-	Gate Array
108-	SSE Manual (hard copy)
109-	SSE Manual (online)
300-	PCA (printed circuit assembly), Untested
802-	Hardware Release Notes
807-	Manuals, Release Notes, Filesystem
808-	Software Image
810-	Software Image, IRISVISION
811-	Disk Assembly
812-	CD Assembly

Manufacturing Numbers

Manufacturing numbers define purchased, “off-the-shelf” components that serve as a single unit. The format is seven digits in one string. [Table 2](#) lists the manufacturing numbers that show class codes.

Table 2. Manufacturing Number Class Codes – Partial List

Class	Description
600xxxx	Header, Jumper, Strain Relief
701xxxx	Fuse, Protective Device
702xxxx	Heatsink, Thermal Film
704xxxx	Receptacle
706xxxx	Fan Guard
709xxxx	Shrink Tubing, Teflon Tubing
710xxxx	Faston Terminal
712xxxx	Ring or Fork Terminal
713xxxx	Terminal
714xxxx	Crimp Terminal Contact Pins
715xxxx	Cable Tie
716xxxx	Cable (no connectors)
717xxxx	Cable Clamp
721xxxx	Bushing
722xxxx	Cord Clip, Other Clip
725xxxx	Fastener
726xxxx	Pop Rivet
727xxxx	Screw, Bolt
728xxxx	Washer
728xxxx	Nut
730xxxx	Wire
741xxxx	Grommet, Eyelet, Ferrule
742xxxx	Bonding Agent
743xxxx	Standoff, Spacer
744xxxx	Label (off-the-shelf)
745xxxx	Plug, AC - Power, Ground, Housing
751xxxx	Screw Lock, Jacket Socket
752xxxx	Foam, Foam Tape, Tape Adhesive
753xxxx	Pull Tab
757xxxx	Shipping, Packaging Items
758xxxx	Gasket, EMI Shielding
9xxxxxx	Electronic Components

Reference Documents

The following Silicon Graphics documents provide field replacement procedures for the major components, or field-replaceable units (FRUs), that this catalog describes:

- *Origin 2000 and Onyx2™ Deskside and Rackmount Installation Instructions*, publication number 108-0155-004
- *O2™ Hardware Reference Guide*, publication number 007-3275-003
- *Digital Audio Option PCI Board Installation Instructions for Origin 2000 and Onyx2*, publication number 108-0181-001
- *DLT 7000 and 2000XT Tape Drive Owner's Guide*, publication number 007-3530-001
- *Origin™ FibreVault and Fibre Channel RAID Owner's Guide*, publication number 007-3428-003
- *Origin Vault Owner's Guide*, publication number 007-3455-002
- *MetaRouter Maintenance Guide*, publication number 108-0191-001
- *32- to 128-processor Upgrade Procedure (Cray Origin 2000 Systems)*, publication number 108-0188-002

For additional part information, you may refer to the following documents:

- The *Cray Origin 2000 Spares Plan*, which lists hardware maintenance tools, miscellaneous supplies, and their part numbers. You may access the spares plan at <http://www.csd.sgi.com/spo/O2K/o2kspare.htm>.
- The *Origin 2000 Spares Price Book*, which includes pricing information. You may access the spares price book at <http://nafois.corp.sgi.com/>.
- The *Pole Vault* query tools, which provide access to Manufacturing's part information, including bills of materials (BOMs). You may access *Pole Vault* at <http://lurch.corp.sgi.com/>.

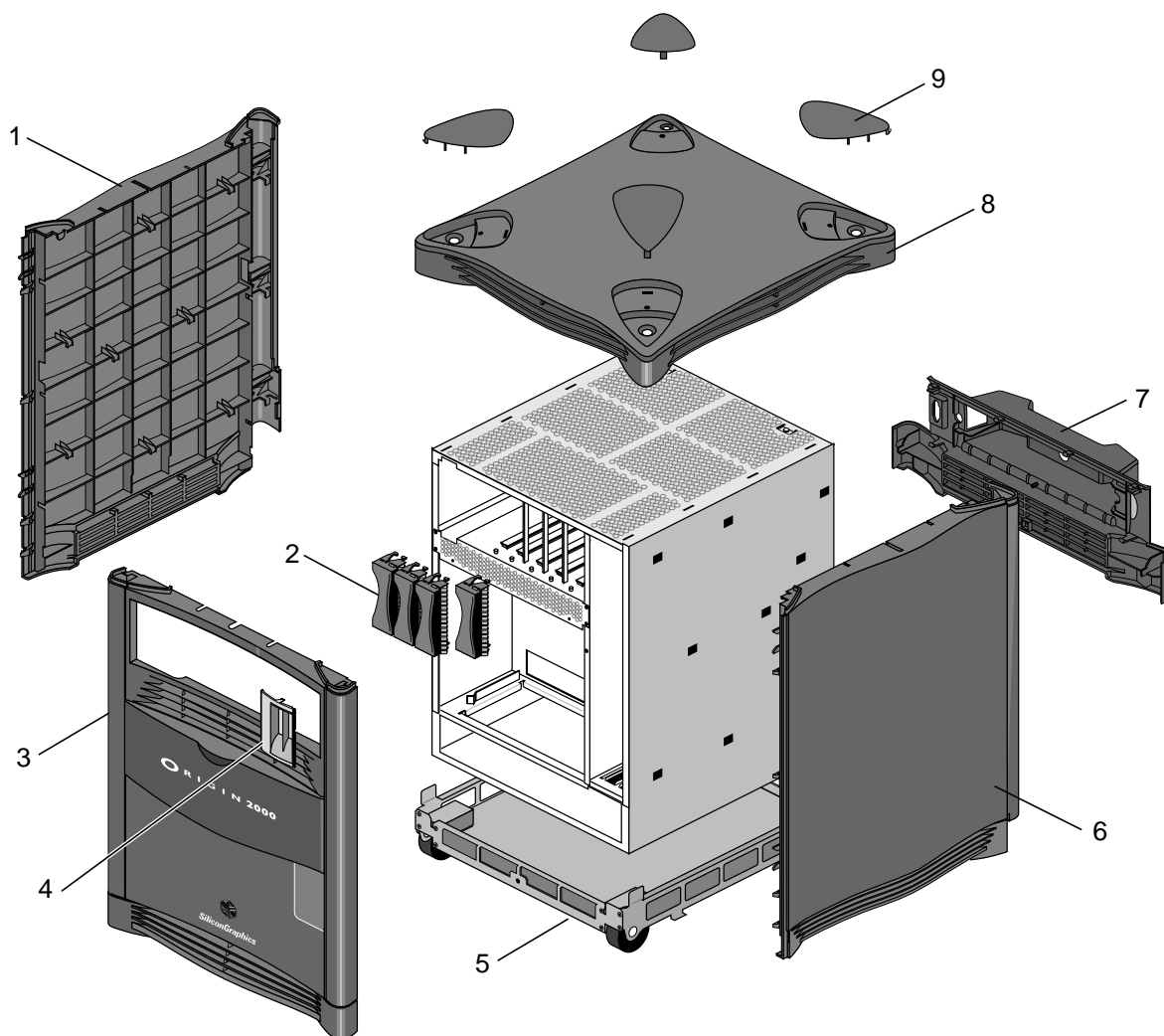
Panels, Covers, and Hardware

This section illustrates and describes the panels and covers that are used with Origin 2000 and Onyx2 deskside and rackmount cabinets and with MetaRouters.

This section also includes illustrations and descriptions of miscellaneous hardware such as hinges, cable ties, and ground straps.

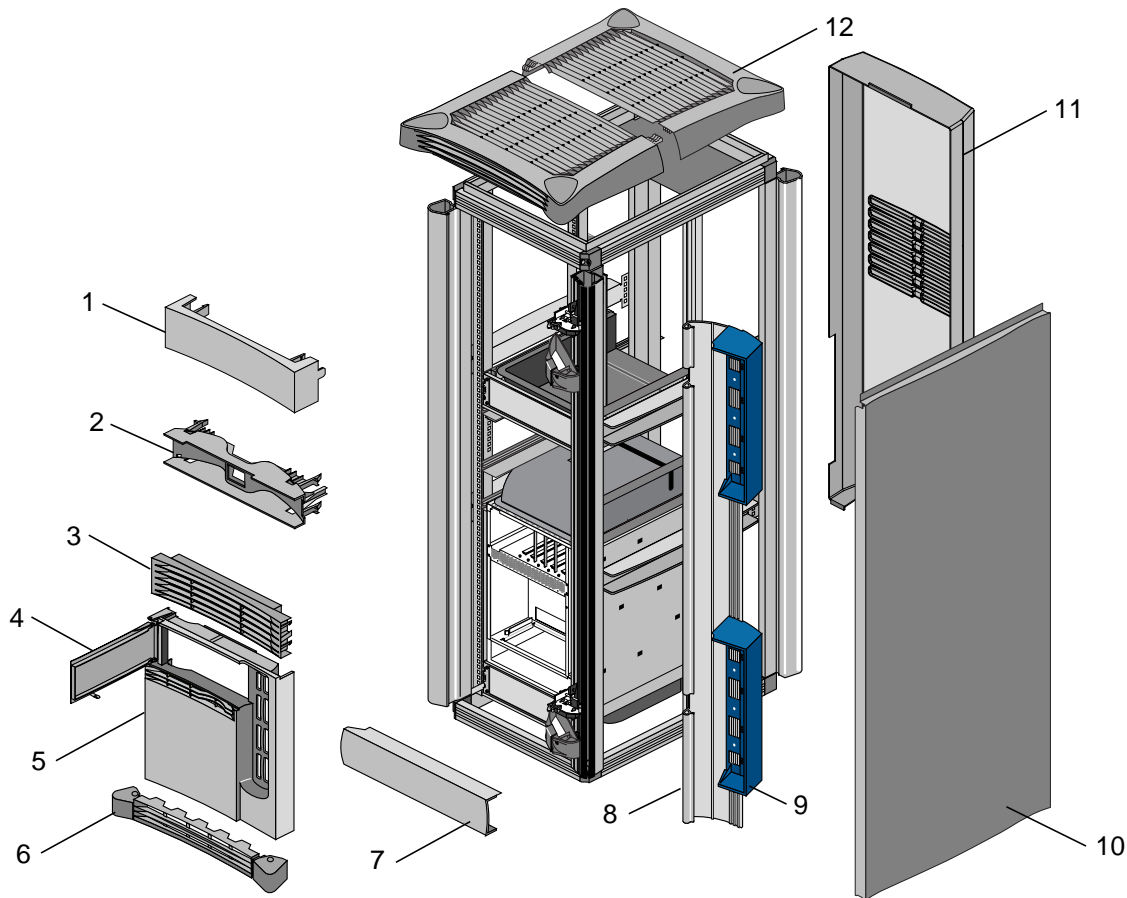
Origin 2000 Deskside Panels/Covers

Ref. No.	SGI Part Number	Description	Where Used
1	013-1642-001	Panel Assy, Side Left Blue - DS	O2K
2	050-0251-001	Drive Filler Panel	O2K
3	013-1645-002	Panel Assy, Front Blue - DS	O2K
4	050-0316-001	Bezel, Router Dual Black - DS	O2K
5	013-1640-001	Base Pan Assy	O2K
6	013-1643-001	Panel Assy, Side Right Blue - DS	O2K
7	050-0233-001	Cover, AC Blue - DS	O2K
8	013-1644-001	Cover Assy, Cosmetic Plastics Blue - DS	O2K
9	050-0235-001	Bubble Plenum Upper Blue	O2K



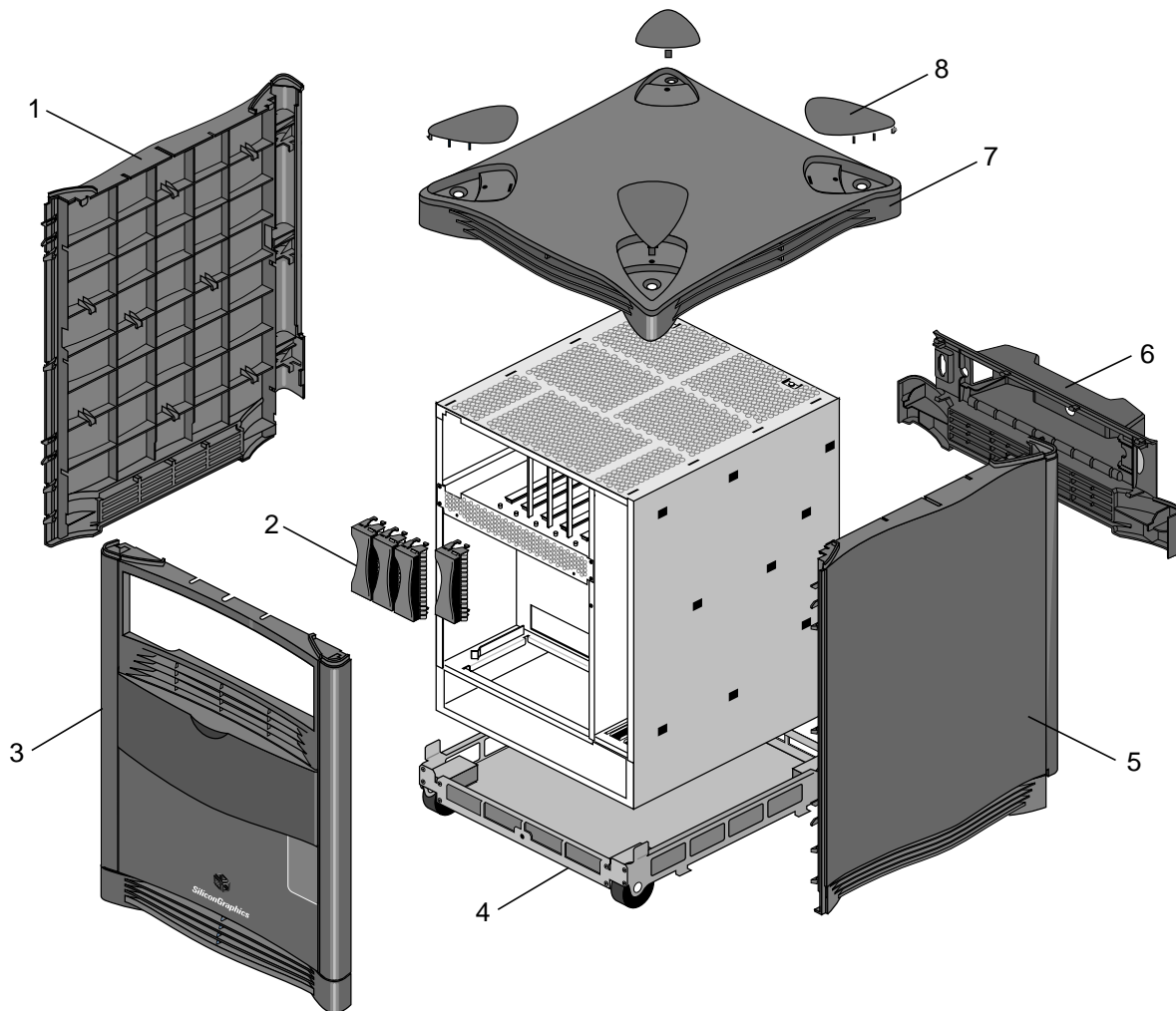
Origin 2000 Rackmount Panels/Covers

Ref. No.	SGI Part Number	Description	Where Used
1	050-0305-001	Blanking Panel, 4U Rack Gray	O2K
2	050-0303-001	Bezel Display Backshell Gray	O2K
3	050-0301-001	Intake Baffle Rack Gray	O2K
4	050-0306-001	Door, Drive Rack Blue W/SS	O2K
5	013-1703-001	Front Panel Assy, O2K Blue	O2K
6	013-1702-001	Bumper Assy, O2K Rack (2x)	O2K
7	050-0311-001	Cover, Cable Comb O2K Gray	O2K
8	042-0176-001	Shield Door, O2K Rack	O2K
9	050-0308-001	Connector Cover Rack, Blue	O2K
10	013-1701-002	Side Panel, O2K Rack Gray (2x)	O2K
11	050-0510-001	Rear Panel, Origin Rack (optional)	O2K
12	013-1700-001	Top Cover, O2K Rack Gray	O2K



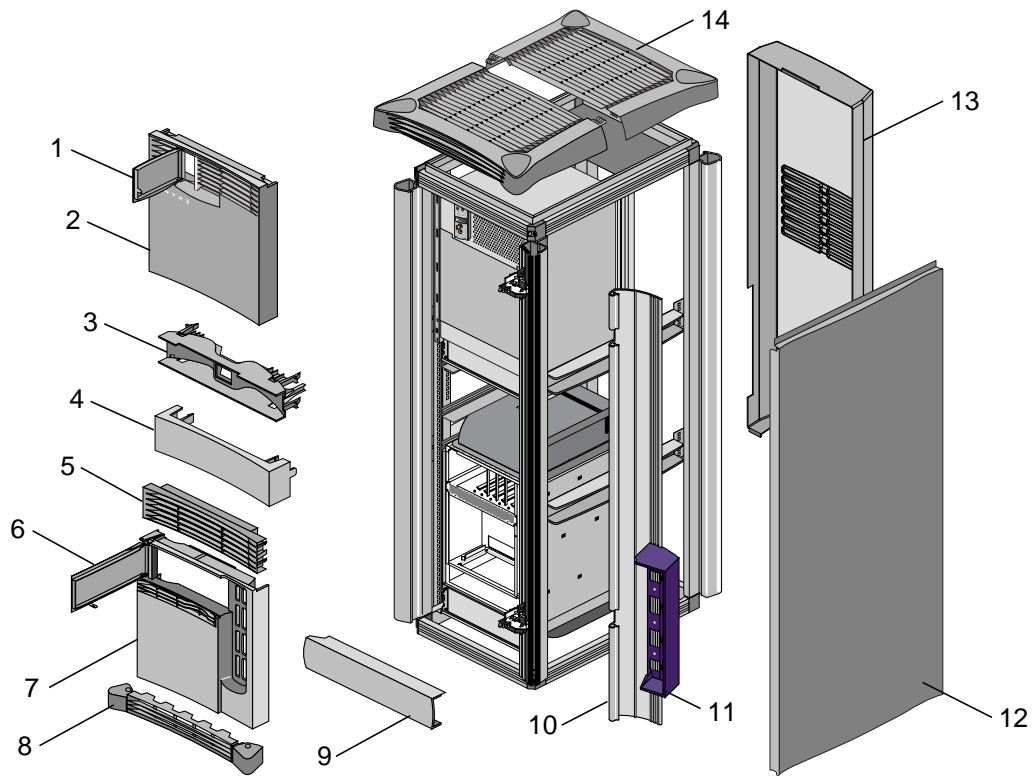
Onyx2 Deskside Panels/Covers

Ref. No.	SGI Part Number	Description	Where Used
1	013-1642-101	Panel Assy, Side Left Eggplant	OX2
2	050-0251-001	Drive Filler Panel	OX2/O2K
3	013-1645-101	Panel Assy, Front Eggplant	OX2
4	013-1640-001	Base Pan Assy	OX2/O2K
5	013-1643-101	Panel Assy, Side Right Eggplant	OX2
6	050-0233-101	Cover, AC - Eggplant	OX2
7	013-1644-101	Cover Top Assy, Eggplant	OX2
8	050-0235-101	Bubble Plenum Upper Eggplant	OX2



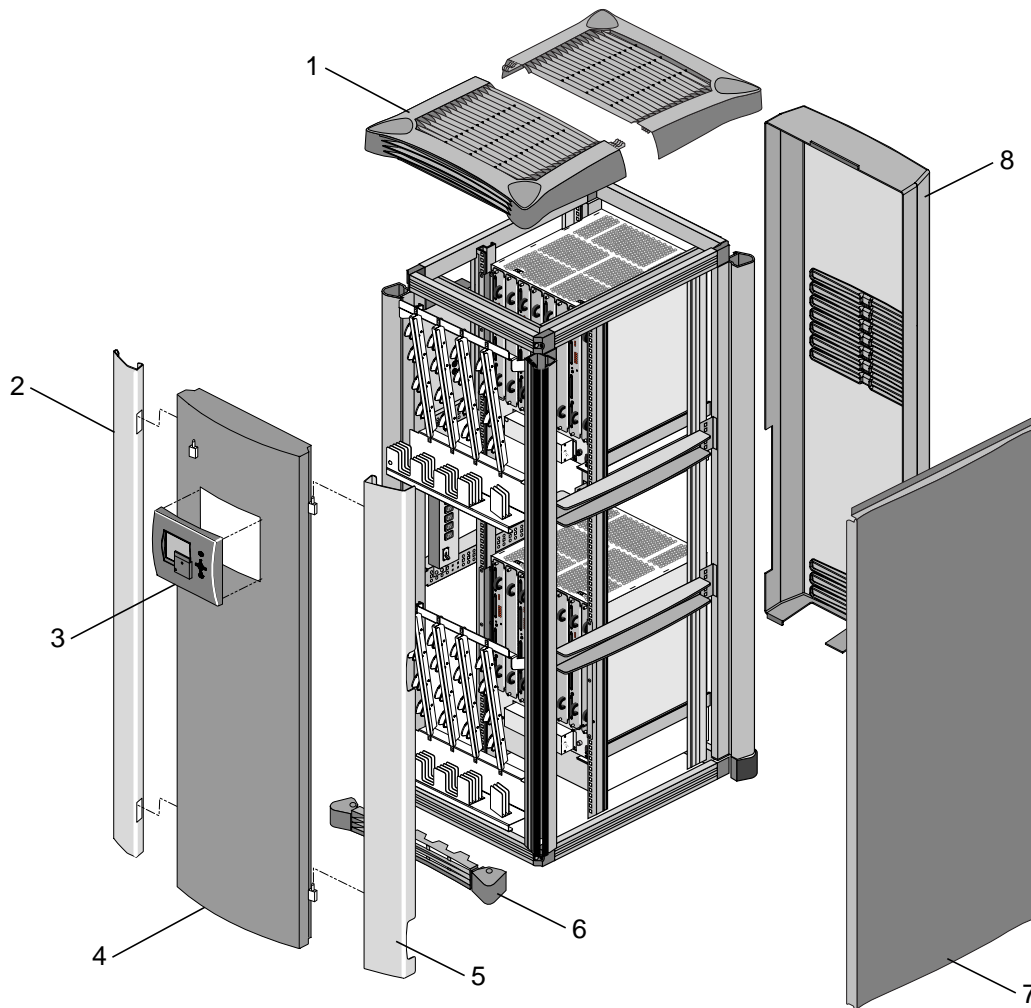
Onyx2 Rackmount Panels/Covers

Ref. No.	SGI Part Number	Description	Where Used
1	050-0397-101 050-0397-201	Controller Door, KCAR Controller Door Blank, KCAR	OX2 OX2
2	013-1931-101	Front Panel Assy, KCAR	OX2
3	050-0398-001	Bezel Display Backshell Modified	OX2
4	050-0305-001	Blanking Panel, 4U Rack Gray	OX2
5	050-0301-001	Intake Baffle Rack	OX2
6	050-0306-201	Door, Drive Rack Eggplant W/SS	OX2
7	013-1703-101	Front Panel Assy, O2 Purple	OX2
8	013-1702-001	Bumper Assy	OX2
9	050-0311-001	Cover, Cable Comb O2K	OX2
10	042-0176-001	Shield Door, O2K Rack	OX2
11	050-0308-101	Connector Cover Rack, Eggplant	OX2
12	013-1701-001 013-1701-002	Side Panel, O2K Rack Gray (2x) Side Panel, O2K Rack Gray (2x)	OX2 OX2
13	050-0510-001	Rear Panel, Origin Rack (optional)	OX2
14	013-1700-001	Top Cover, Rack Gray	OX2



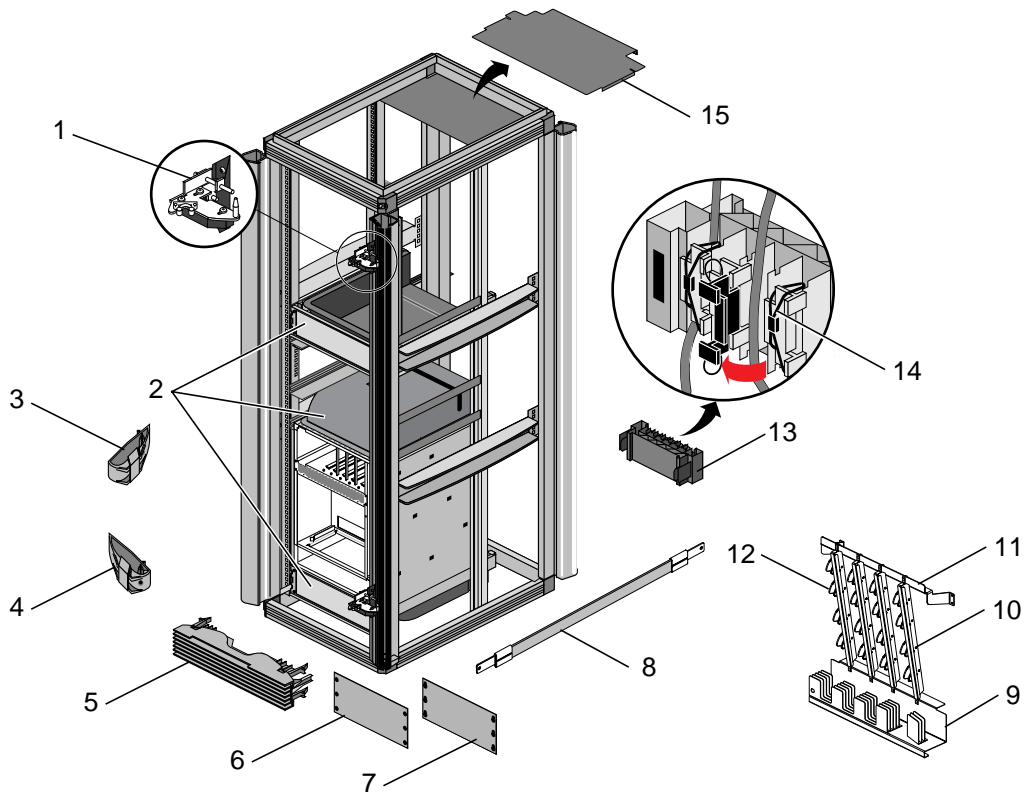
MetaRouter Panels/Covers

Ref. No.	SGI Part Number	Description	Where Used
1	013-1700-001	Top Cover, O2K Rack Gray	MR
2	040-2114-001	Panel, Left MetaRouter	MR
3	013-2291-001	Assy Display MetaRouter	MR
4	040-2115-001	Panel, Front MetaRouter	MR
5	040-2113-001	Panel, Right MetaRouter	MR
6	013-1702-001	Bumper Assy, O2K Rack (2x)	MR
7	013-1701-002	Side Panel, O2K Rack Gray (2x) (optional)	MR
8	050-0510-001	Rear Panel, Origin Rack (optional)	MR



Rack Hardware

Ref. No.	SGI Part Number	Description	Where Used
1	013-1705-001	Hinge Assy, Rack Door	O2K, OX2
2	013-1711-001	Plenum Exhaust Assy	O2K, OX2, MR
3	013-1709-001	Cable Bail Assy, Up	O2K, OX2
4	013-1710-001	Cable Bail Assy, Down	O2K, OX2, MR
5	050-0302-001	Cable Comb O2KNET Gray	O2K, OX2
6	042-0249-001	Ground Strap Inter Rack (flexible)	O2K, OX2
7	040-1803-001	Plate Inter-rack Grounding (rigid)	O2K, OX2
8	042-0363-001	Ground Strap Metarouter	MR
9	040-2105-001	Comb, Cable MetaRouter	MR
10	040-2108-001	Bracket Mounting Cable Bail	MR
11	040-2110-001	Bracket Horizontal Cable Management	MR
12	050-0508-001	Bail, Cable MetaRouter	MR
13	013-1698-001	Cable Comb I/O Assy	O2K, OX2
14	9981012	O-ring 2.050ID X .103W Viton	O2K, OX2
15	050-0405-001	Baffle Flow Separation Rack	O2K, OX2, MR



This page left blank.

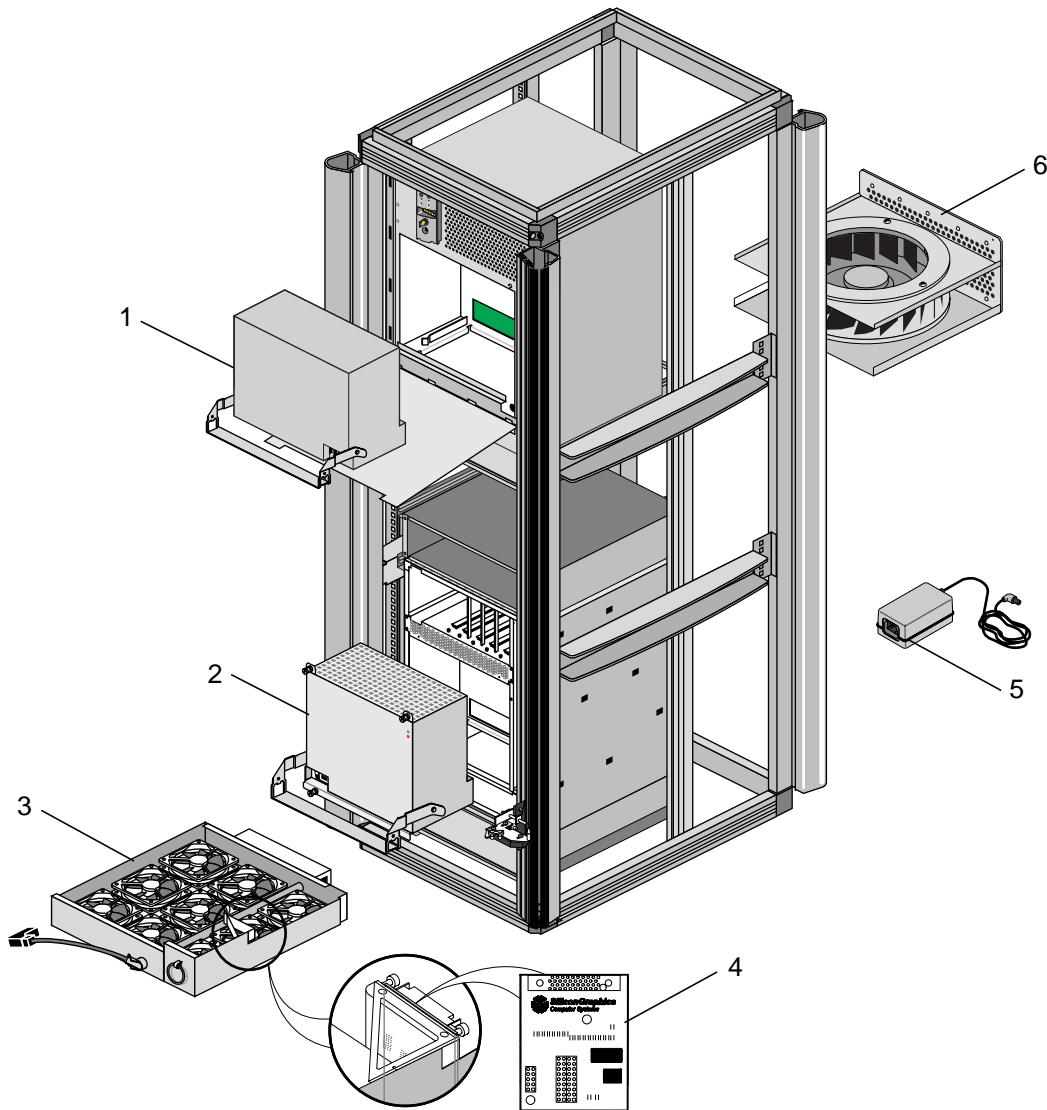
Power, Cooling, and System Controller Components

This section illustrates and describes the power supplies, fan assemblies, system controller components, and associated cables that are used with Origin 2000 and Onyx2 desktside and rackmount systems and with MetaRouters.

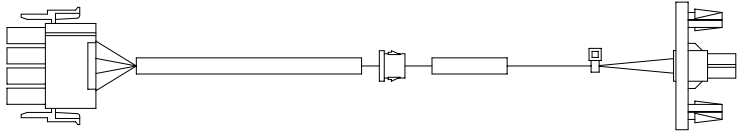
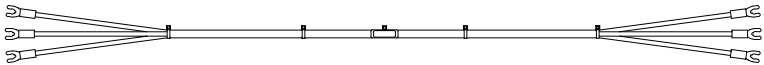
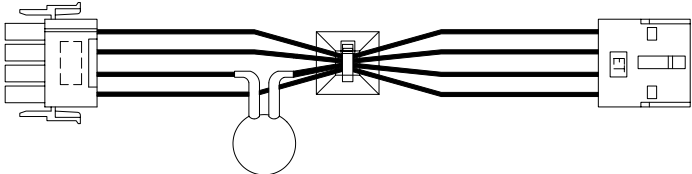
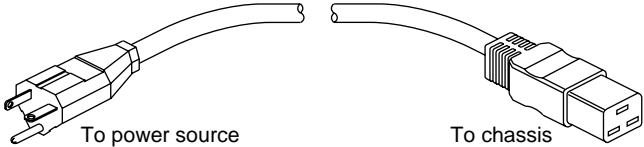
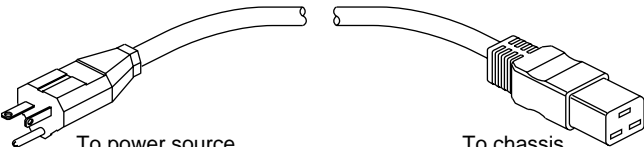
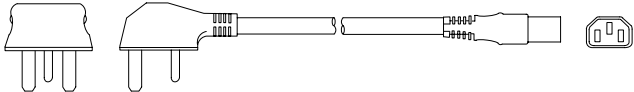
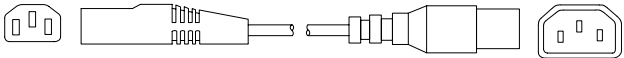
The system controller components that this section describes include the module system controller (MSC), multi-module system controller (MMSC), and associated cables and hardware. Refer to [“Workstations, Monitors, and Associated Components”](#) for information on external monitoring devices.

Power and Cooling Components

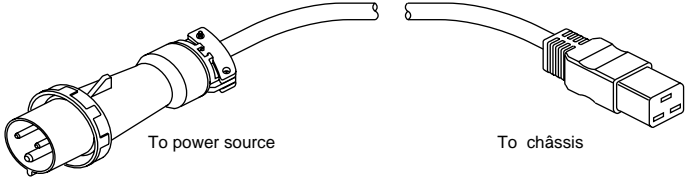
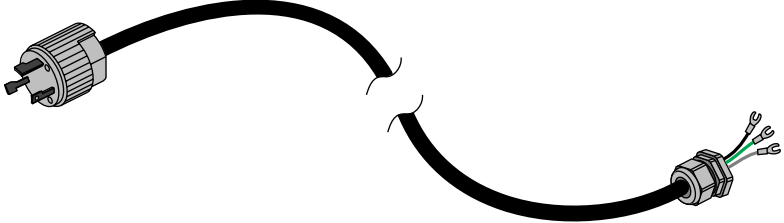
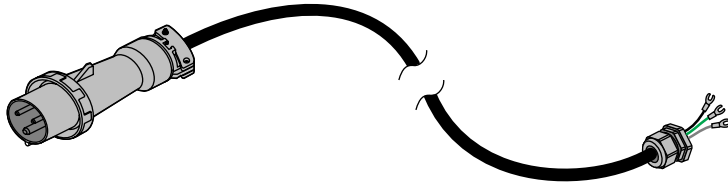
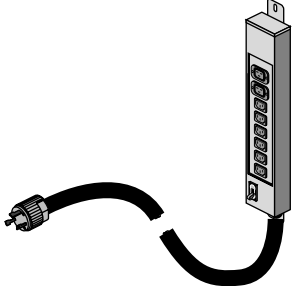
Ref. No.	SGI Part Number	Description	Where Used
1	060-0026-001	Power Supply AC/DC 3100WDC	OX2
2	060-0005-001	Power Supply, D Four Output	O2K, MR, OX2
3	013-1589-002	Fan Tray Assy	O2K, MR, OX2 DS
4	030-0941-005	PCA O2K Fan Tray Board	O2K, MR, OX2 DS
5	9470248	Power Supply, 30 Watts 12 VDC 1.2A	O2K, MR
6	013-1740-001	Blower Assy, KCAR	OX2



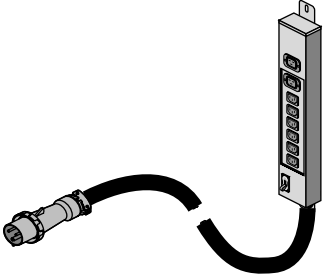
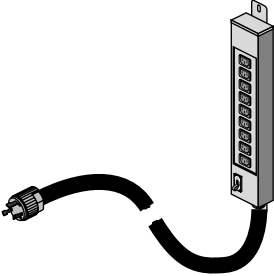
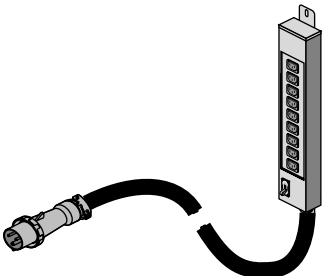
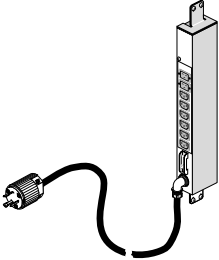
Power Cables

SGI Part Number	Description	Where Used
015-0262-001	Harness Assy Blower 	O2K, OX2
015-0263-001	Harness Assy Internal AC KCAR 	OX2
018-0721-001	Cable Assy Harness Assy Blower W/IC 	OX2
9350050 or 9350807	Power Cable, 110 VAC, U.S., Canada, and Japan 	O2K DS
9350051 or 9350814	Power Cable, 220 VAC, U.S., Canada, and Japan 	O2K DS
9350017	PWR Cord 240V 10A UK W/Plug 	OX2, O2
9350818	PWR Cord 250V 10A C14G Jumper 	O2K, OX2, MR

Power Cables (continued)

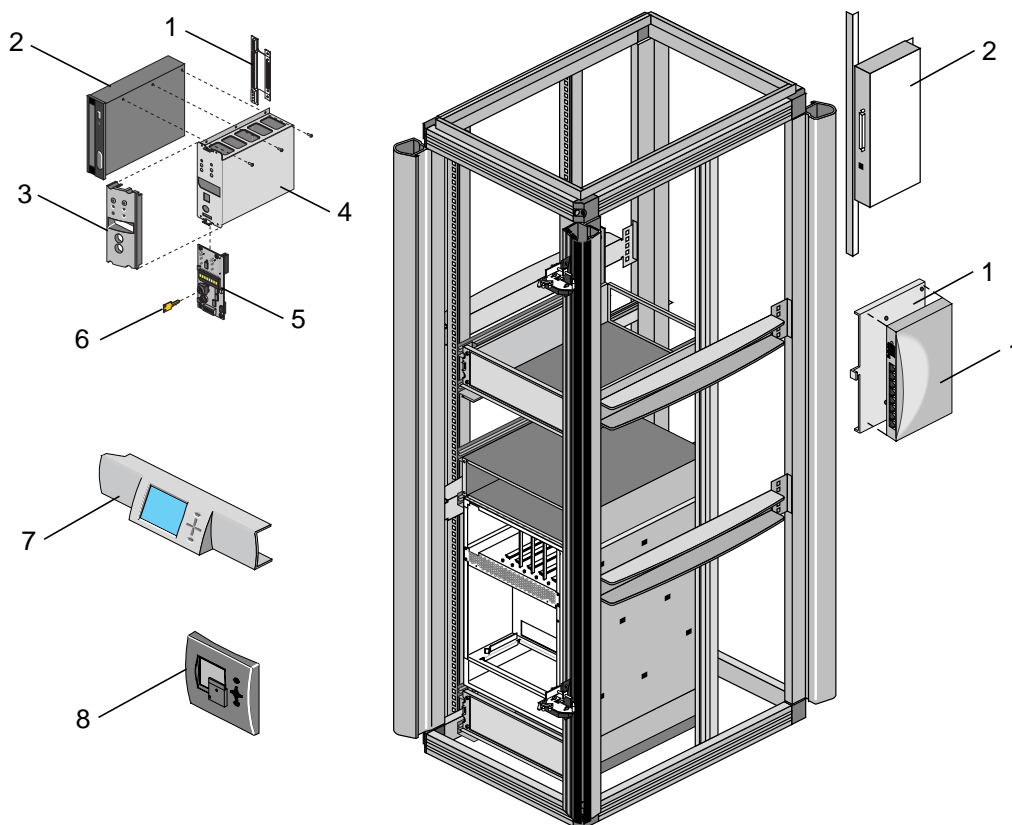
SGI Part Number	Description	Where Used
9350049 or 9350809	Power Cable, 220 VAC, International 	O2K DS
	Power Cable, 220 VAC, U.S., Canada, and Japan 	OX2
	Power Cable, 220 VAC, International 	OX2
9350816	Power Cord JMPR 250V 16A C19R (image not available)	O2K, MR
013-1712-001	Power cable, 220 VAC, U.S., Canada, and Japan (PDU 8P12 Assy) 	O2K, OX2, MR

Power Cables (continued)

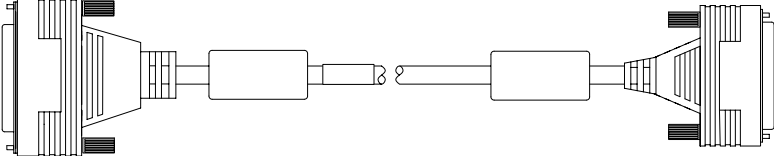
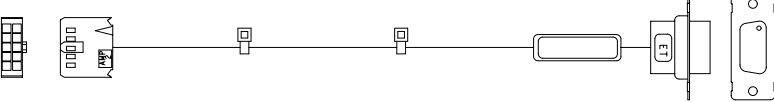


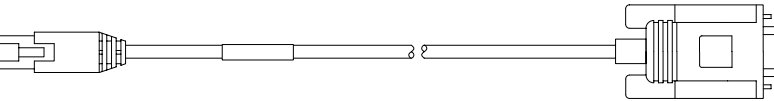
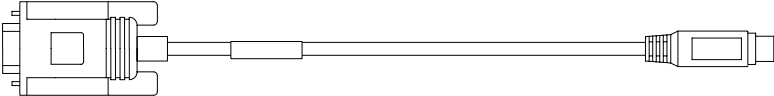
SGI Part Number	Description	Where Used
013-1910-001	Power Cable, 220 VAC, International 	O2K, OX2
013-1802-001	Power Cable, 220 VAC, U.S., Canada, and Japan 	O200, Origin Vault rack system
013-1911-001	Power Cable, 220 VAC, International 	O200, Origin Vault rack system
013-2075-001	PDU 8P12 Assy Reduced 	O2K, OX2, MR

System Controllers

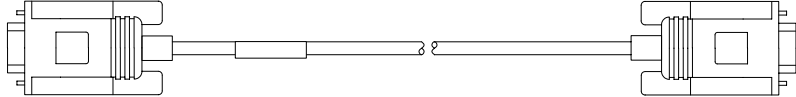
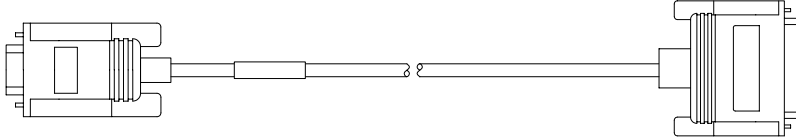

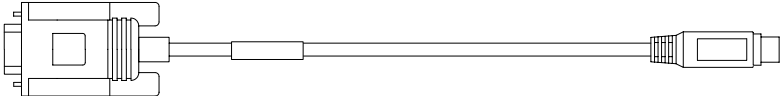
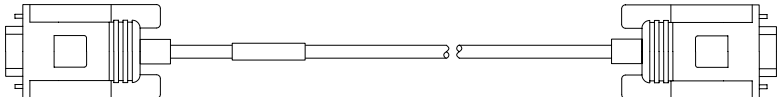

Ref. No.	SGI Part Number	Description	Where Used
1	030-1109-002 030-1256-001	PCA CDROM SCA Flex Circuit PCA CDROM 12x Flex Circuit	O2K, OX2 O2K
2	064-0033-001 064-0052-001	Drive, CD 4X Low Cost Int5401 Drive, CD12X 5.25	O2K, OX2 O2K, OX2
3	013-1756-001	Bezel Assy, ELSC (MSC)	O2K, OX2, MR
4	040-1543-002	Housing, ELSC Assembly	O2K
5	030-0859-008	PCA Sys Cntrl Assy Entry Level (MSC) O2K	O2K, OX2, MR
6	9980967	Key System ELSC Marked S2001	O2K, OX2, MR
7	013-1714-002	Display Assy, MMSC	O2K, OX2
8	013-2291-001	Assy Display MetaRouter	MR
1	9470235	Hub, Ethernet 8-Port 10Base-T	O2K, MR
1	040-1895-003	Bracket Mounting Ethernet Hub	O2K, MR
2	041-0229-001	SBC Assy, FFSC (MMSC)	O2K, OX2, MR



System Controller Cables

SGI Part Number	Description	Where Used
018-0542-001	Cable Assy 9PDSUB 8PMini Null Modem (image not available)	O2K
018-0586-001 018-0586-101	Cable Assy, Display 44P HPD-50P DSub 52" (from display) Cable Assy, Display 65" (from display) 	O2K, OX2 MR
018-0587-002	Cable Assy Serial Port KCAR 	OX2
018-0644-001 018-0644-101	Cable Assy, 9P F DSUB to 8P Mini Nul (from MSC) Cable Assy, 9P F DSUB to 8P Mini Nul 17' (from MSC) 	O2K, OX2, MR MR
018-0650-001	Cable Assembly, Adapter Console (from MSC) 	O2K, OX2
018-0667-001	Cable Assy PJ45/PC9 RCPU 10FT 	O2K
018-0668-001 018-0668-101	Cable Assy ORIGIN PC9-MD8 20FT Cable Assy ORIGIN PC9-MD8 40FT 	O2K O2K

System Controller Cables (continued)

SGI Part Number	Description	Where Used
018-0669-001 018-0669-101	Cable Assy ORIGIN PC9-SGI9 20FT Cable Assy ORIGIN PC9-SGI9 40FT 	O2K O2K
018-0671-101	Cable Assy ORIGIN/CHAL Serial 25FT 	O2K, OX2
018-0672-002	Cable Assy Adapter Laptop 	O2K, OX2
018-0690-001 018-0690-101	Cable Assy ORIGIN MD8-SG19 20FT Cable Assy ORIGIN MD8-SG19 40FT 	O2K O2K
018-0691-001 018-0691-101	Cable Assy ORIGIN PC9-PC9 20FT Cable Assy ORIGIN PC9-PC9 40FT 	O2K O2K
018-0700-001	Cable Assembly, FFSC (MMSC)/Hub RJ45 (from hub) 	O2K, MR
9350032	Pwr Cord 240V 10A BIK Intl (image not available)	O2K, OX2, O2
9350813	Pwr Cord 250V 15A C19RA Austra (image not available)	O2K

Boards

This section illustrates and describes the various boards (and associated cables) that are used with Origin 2000 and Onyx2 desktside and rackmount systems and with MetaRouters.

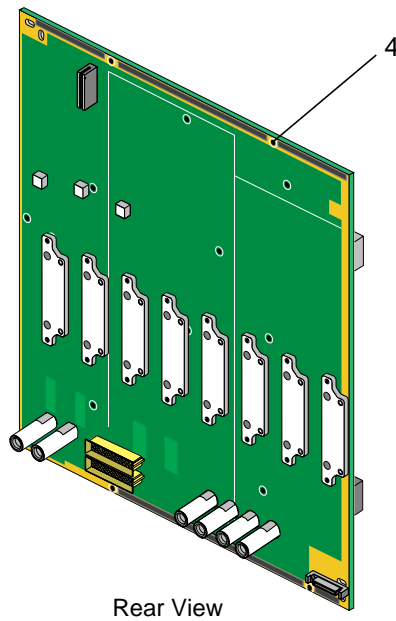
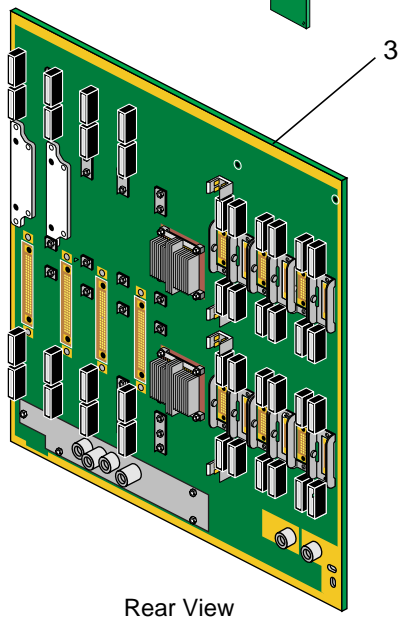
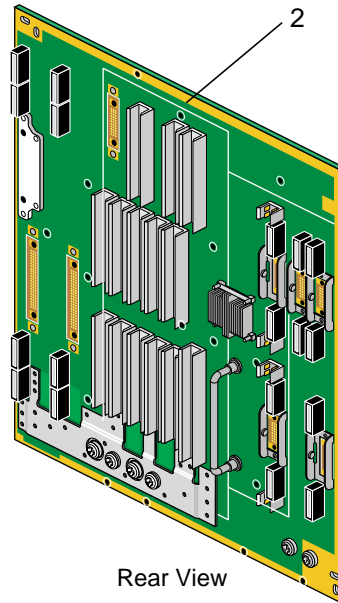
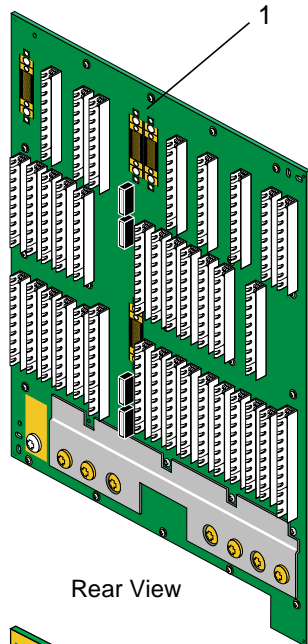
The boards are classified by the following categories:

- Midplanes
- Node Boards
- Memory DIMMs
- Router Boards
- Graphics Boards
- XIO Options
- PCI Options

If you cannot find a board in one category, please look in another.

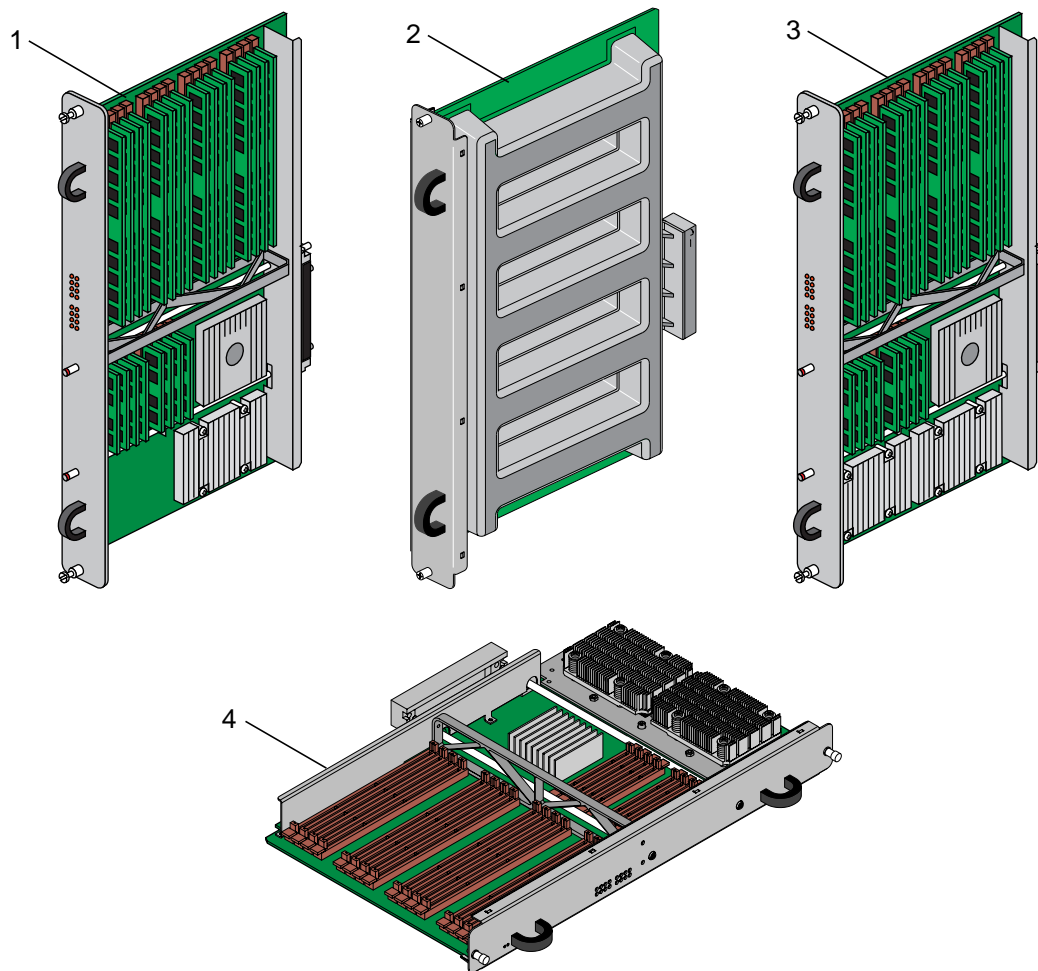
Midplanes

Ref. No.	SGI Part Number	Description	Where Used
1	013-1760-001	Assy, Midplane KCAR	OX2
2	013-1839-001	Assy, Midplane Kego	OX2 DS
3	013-1547-003	Assy, Midplane 8P12 O2K	O2K
4	030-1169-001	PCA MetaRouter Midplane	MR



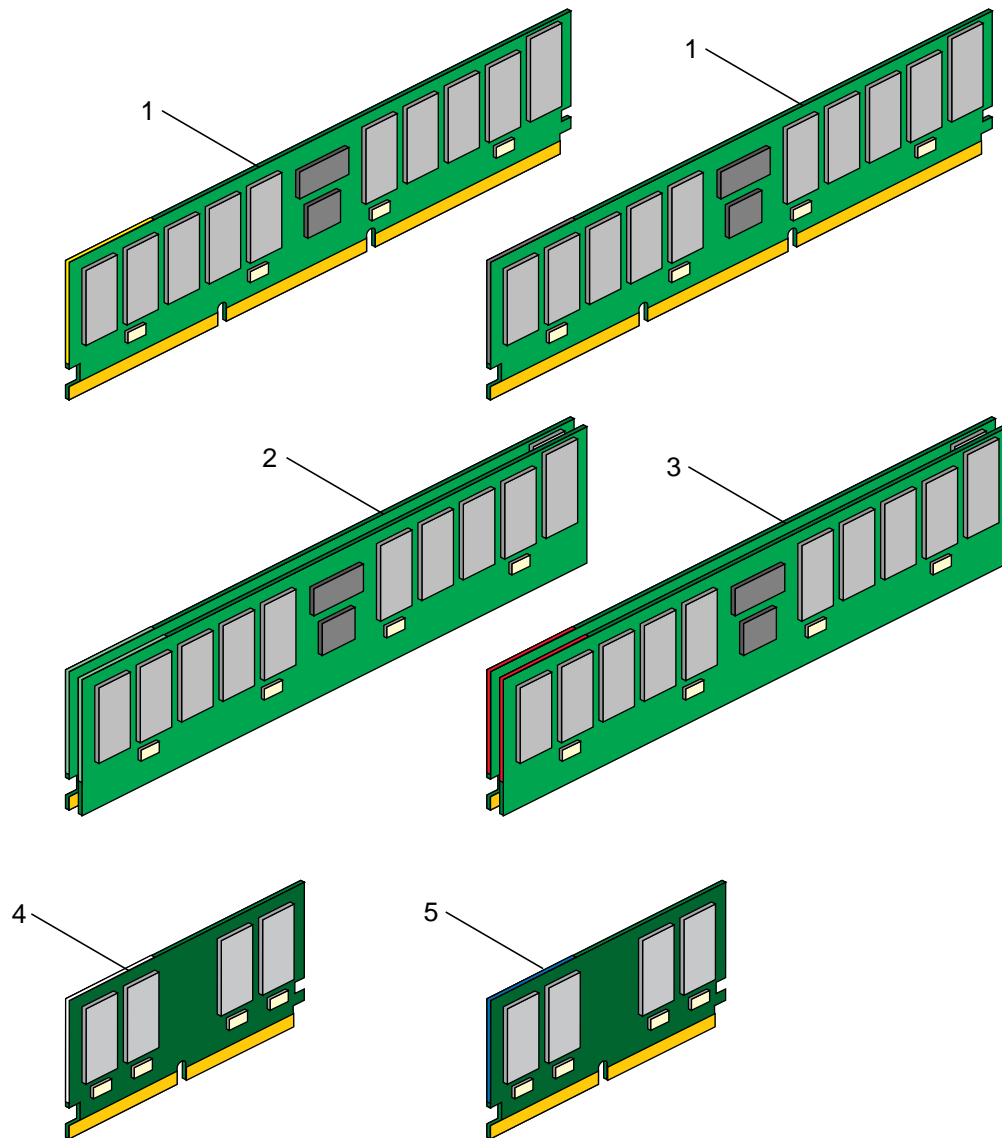
Node Boards

Ref. No.	SGI Part Number	Description	Where Used
1	013-1346-002	PCA Assy, IP27 1CPU 180MHZ 1MBSC	O2K, OX2 DS
	013-1830-001	PCA Assy, IP27 1CPU R10K 4MBSC	O2K, OX2 DS
	013-2227-001	Assy, IP27 1CPU 1MB Greater 32P 180MHZ	O2K
	013-2225-001	Assy, IP27 1CPU 4MB Greater 32P 195MHZ	O2K
2	013-1754-002	Node Board Baffle Assy	O2K, MR
3	013-1347-002	PCA Assy, IP27 2CPU 180MHZ 1MBSC	O2K, OX2 DS
	013-1831-001	PCA Assy, IP27 2CPU R10K 4MBSC	O2K, OX2 DS
	013-2226-001	Assy, IP27 2CPU 1MB Greater 32P 180MHZ	O2K
	013-2224-001	Assy, IP27 2CPU 4MB Greater 32P 195MHZ	O2K
4	013-2241-002	PCA Assy, IP31 W/R10K 2P250MHZ 4MB PIMM	O2K



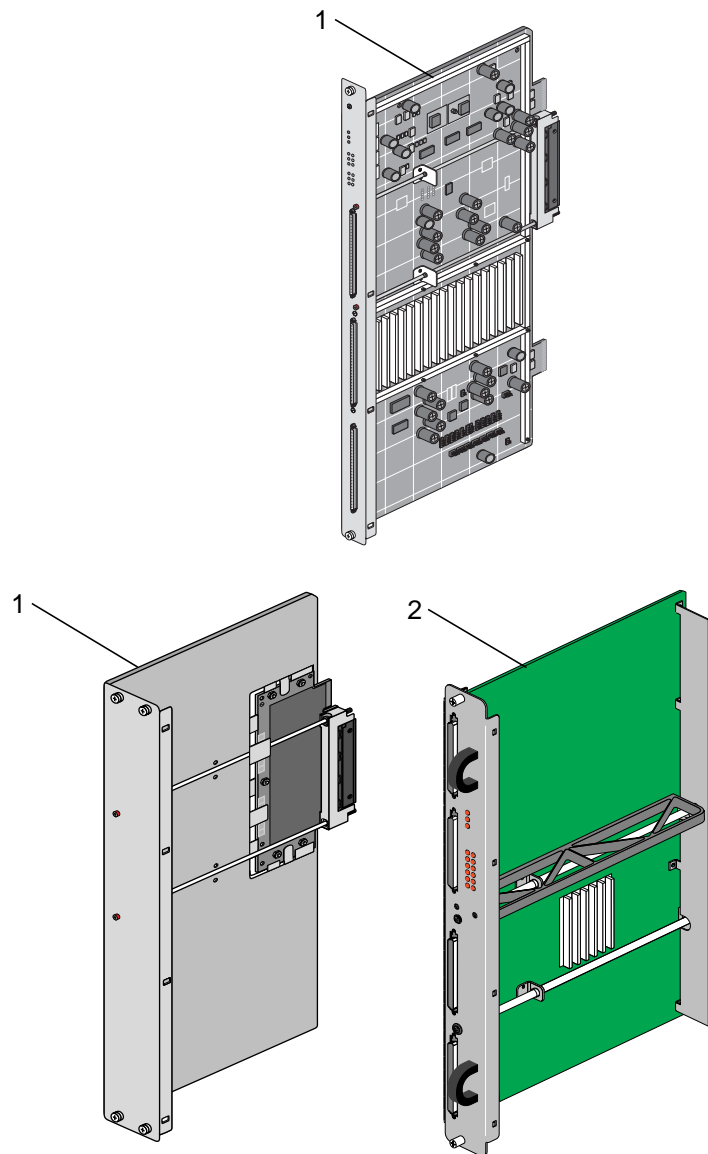
Memory DIMMs

Ref. No.	SGI Part Number	Description	Where Used
1	030-0759-004	PCA 32MB SDRAM Main Mem DIMM (Yellow)	O2K
1	030-0782-001	PCA, 128MB SDRAM Main Mem DIMM (Gray)	O2K
2	013-1372-002	PCA Set 64MB SDRAM Main Mem DIMM (Green)	O2K
3	013-1492-001	PCA Set 256MB SDRAM Main Mem DIMM (Red)	O2K
4	030-0775-003	PCA 16MB SDRAM Directory DIMM (White)	O2K
5	030-0781-001	PCA 64MB SDRAM Directory DIMM (Blue)	O2K

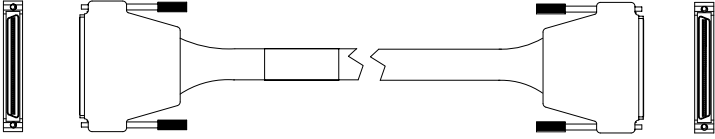
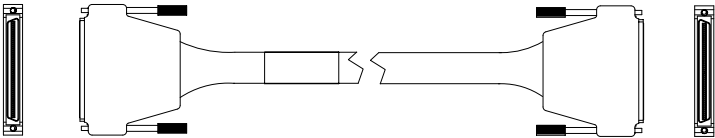
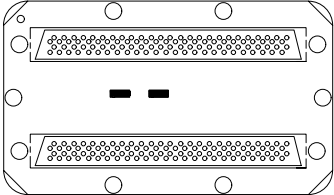


Router Boards

Ref. No.	SGI Part Number	Description	Where Used
1	030-0841-002	PCA Origin 2000 Router 8P	O2K
	030-0841-003	PCA Origin 2000 Router 8P (for use with IP31)	O2K
1	013-1901-001	Null Router Assy, O2K	O2K
	013-1900-001	Null Router Assy, ONYX2	OX2
2	030-0845-001	PCA Router 128P O2K	MR

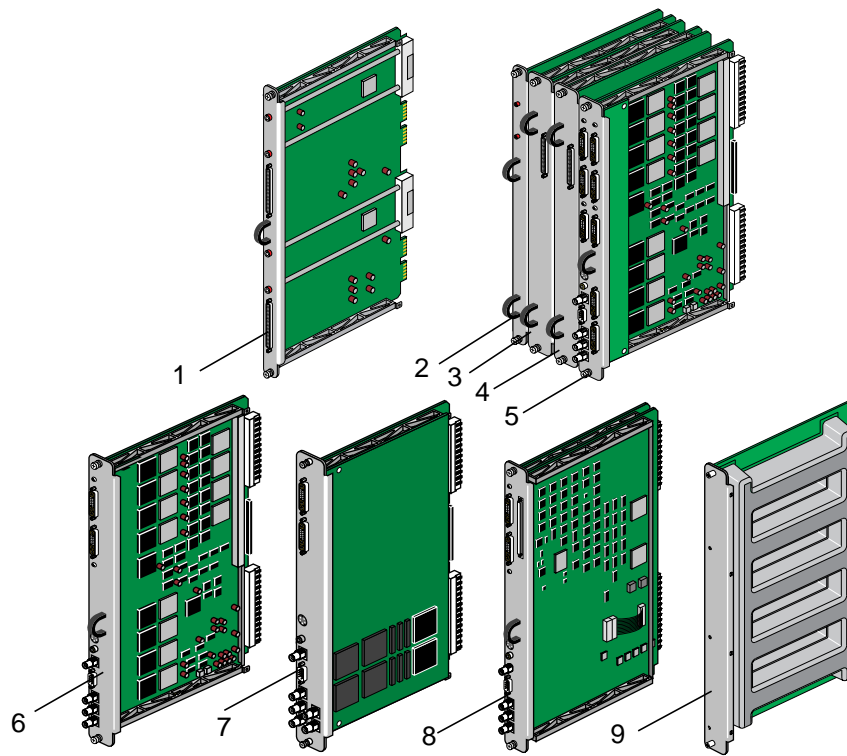


Router Board/CrayLink Cables

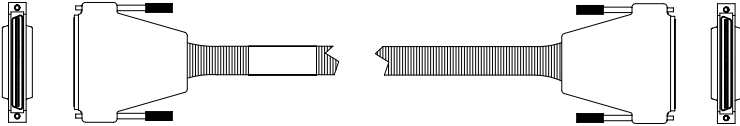
SGI Part Number	Description	Where Used
018-0564-001 018-0693-001 018-0694-001 018-0568-001	Cable Assy, O2KNET 58" Red Cable Assy, 84" Green Cable Assy, 95" White Cable Assy, O2KNET 108" Yellow 	O2K O2K O2K O2K
018-0565-002 018-0566-002 018-0723-002 018-0724-002 018-0725-002 018-0726-002 018-0727-002 018-0728-002 018-0729-002 018-0730-002	Cable Assy, 65" (Blue) Cable Assy, 76" (Green) Cable Assy, 88" (White/Yellow) Cable Assy, 95" (White/Red) Cable Assy, 108" (Yellow/Red) Cable Assy, 122" (Yellow/Green) Cable Assy, 130" (Red/Green) Cable Assy, 145" (Red/Blue) Cable Assy, 160" (Green/Blue) Cable Assy, 180" (Green/White) 	MR MR MR MR MR MR MR MR MR
030-1120-001	PCA IR1 Jumper 	O2K DS

Graphics Boards

Ref. No.	SGI Part Number	Description	Where Used
1	030-1067-001	PCA KTOWN	OX2
2	030-1051-002 030-1129-002 030-1398-001	PCA GE14-2 PCA GE14-4 PCA GE16-4	OX2 OX2 OX2
3	013-1964-001 013-1677-001 013-2464-001 013-2954-001	Assy, RM7/TM7-16 Assy, RM7/TM7-64 Assy, RM9/TM7-64 Assy, RM9/TM8-256	OX2 OX2 OX2 OX2
4	030-1130-001 030-1131-001	PCA RM8-16 PCA RM8-64	OX2 OX2
5	013-1679-001	Assy, DG5-8/VI05H	OX2
6	030-1055-001	PCA DG5-2	OX2
	013-2447-002	Assy, DG5-2/DD03 (DPLEX) (not shown)	OX2
7	013-1972-002	Assy, DG5-2/GVO	OX2
8	013-1973-001	Assy, DG5-2/DDO2	OX2
	013-2688-002	DG5-2/HD TVO (not shown)	OX2
9	013-1745-001	Baffle Board Assy	OX2

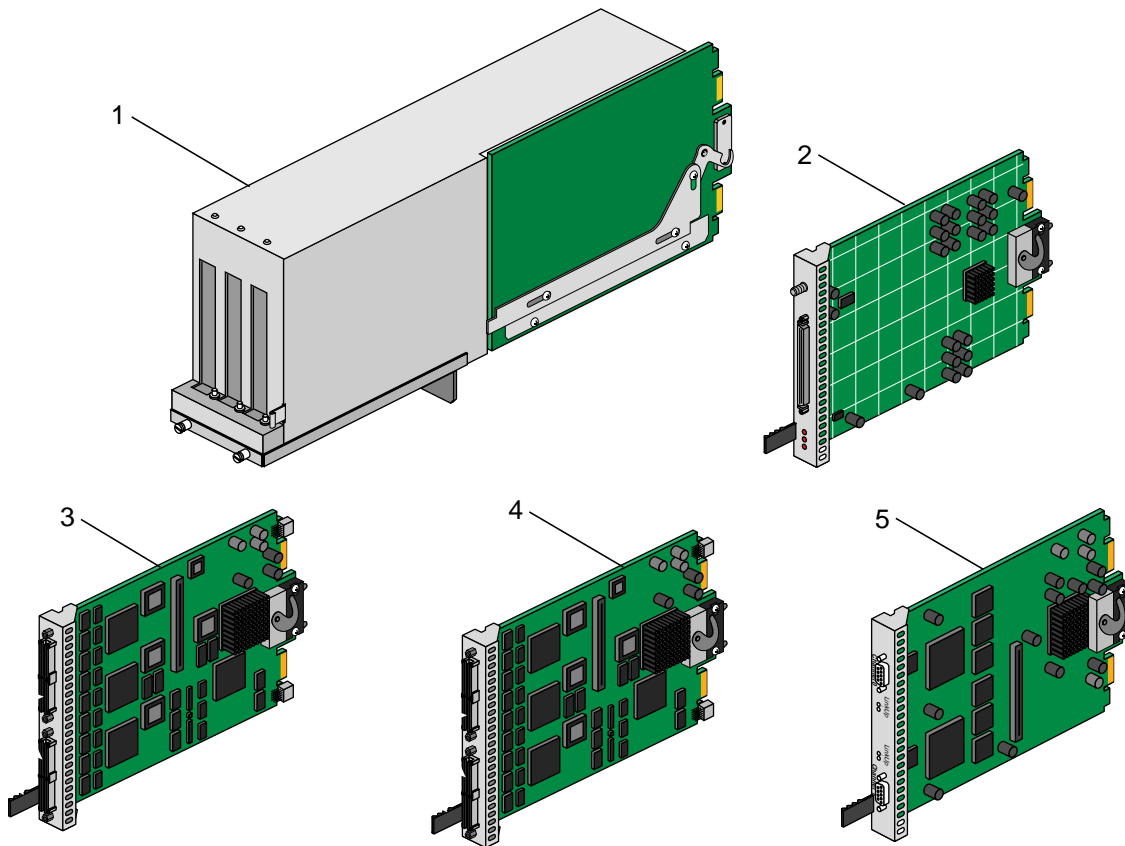


Graphics Board Cables

SGI Part Number	Description	Where Used
018-0579-001	Cable Assy, DIFF Protected 108" (Ktown to Xtown) 	O2K, OX2

XIO Options

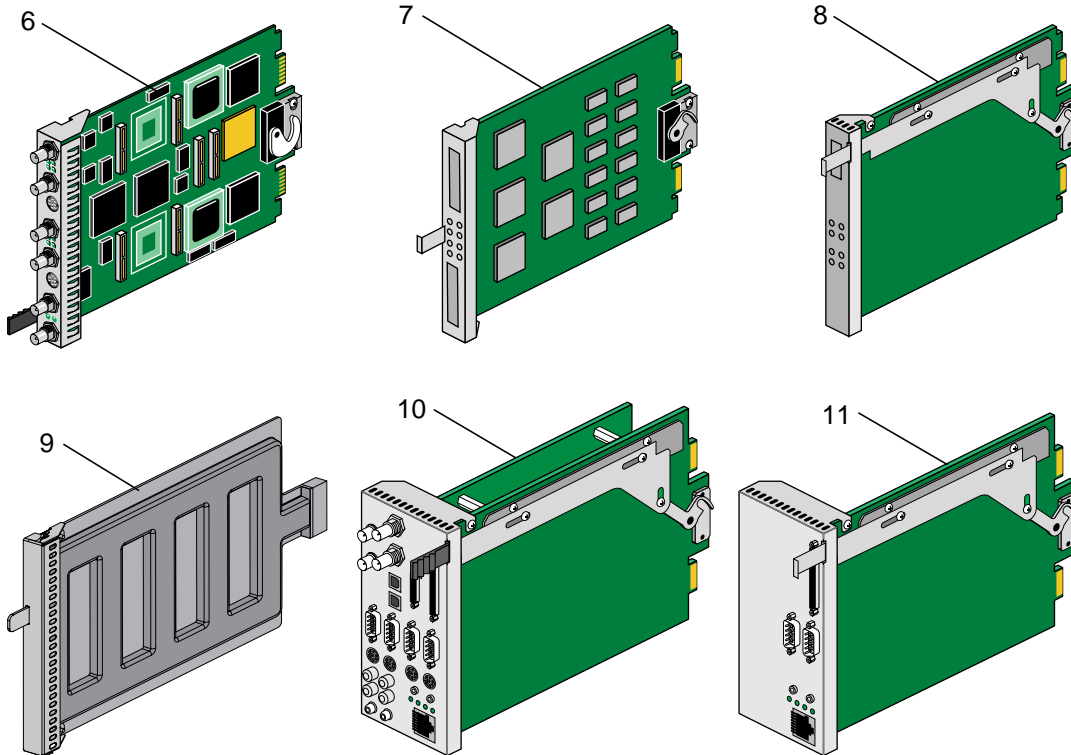
Ref. No.	SGI Part Number	Description	Where Used
1	013-1659-001	PCI - XIO (Xtalk) Adapter* Shoebox	O2K
2	030-0846-001	PCA O2K Crosstown (Xtown) Adapter	O2K
	030-1280-001	PCA O2K Crosstown B (Xtown) Adapter	OX2
3	030-0872-004	PCA MSCSI	O2K
	030-1243-001	PCA MSCSI B	O2K
4	030-0873-004	PCA MENET	O2K
5	030-0927-003	PCA XIO (Xtalk) Fibre Chan O2K	O2K
	030-1452-003	PCA XIO TPU	O2K
	013-2998-001	XT-HD Bulkhead Assy (not shown)	O2K
	013-2799-001	GSN IO Panel Assy (not shown)	O2K



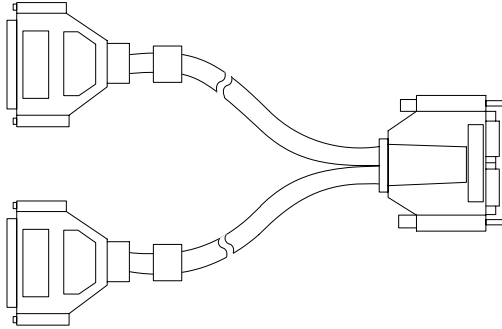
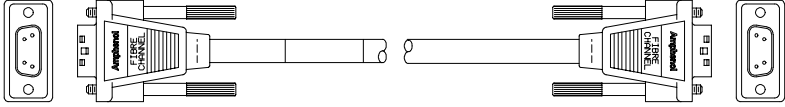
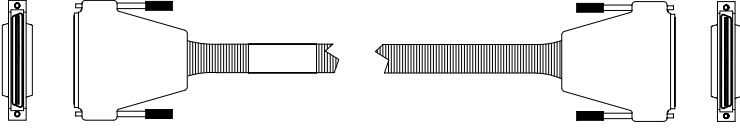
* See also "PCI Options"

XIO Options (continued)

Ref. No.	SGI Part Number	Description	Where Used
6	030-1046-002	PCA DIV0 I/O	OX2
7	030-0948-003	PCA O2K ATM-OC3	O2K
8	030-0968-004	PCA HIPPI Serial O2K	O2K
9	013-1637-002	I/O Blanking Board Assy	O2K
10	013-1631-002	Base I/O Assy MIO	O2K
11	030-1124-002	PCA IO6 Server	O2K

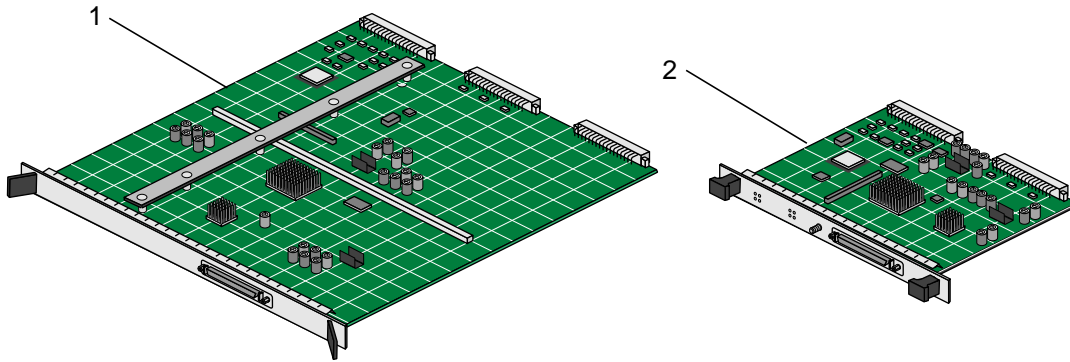


XIO Option Cables

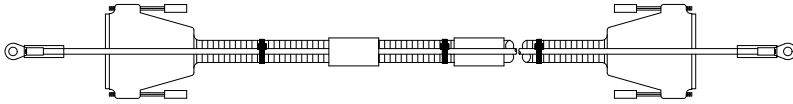
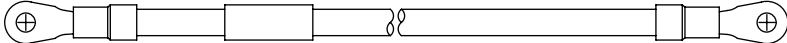
SGI Part Number	Description	Where Used
018-0561-002 018-0561-102	Cable Assy MSCSI 1 ft. Cable Assy, MSCSI 8 ft. 	O2K, OX2 DS O2K, OX2 DS
018-0570-001	Cable Assy, Fibre Chnl Copper 10 meter 	O2K
018-0579-001	Cable Assy, DIFF Protected 108" (Ktown to Xtown) 	O2K, OX2
9290131	Cable Assy ENET Nul RJ45 20FT (image not available)	O2K

XIO-to-VME Adapter Options

Ref. No.	SGI Part Number	Description	Where Used
1	030-1213-003	PCA Crosstown to VME I/F VME 9U	O2K
2	030-1221-003	PCA Crosstown to VME I/F VME 6U	O2K

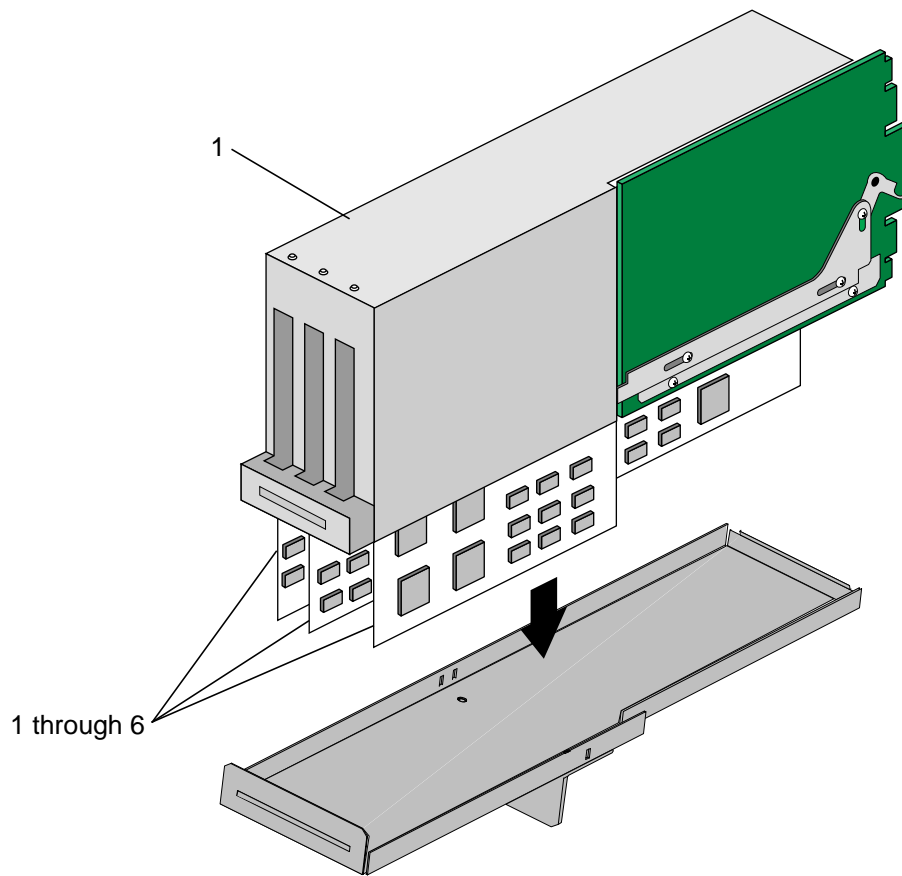


XIO-to-VME Adapter Cables

SGI Part Number	Description	Where Used
013-2230-001	Cable Assy, Xtown 108" with Ground 	O2K
018-0649-001	Cable Assy, System to System Ground 	O2K

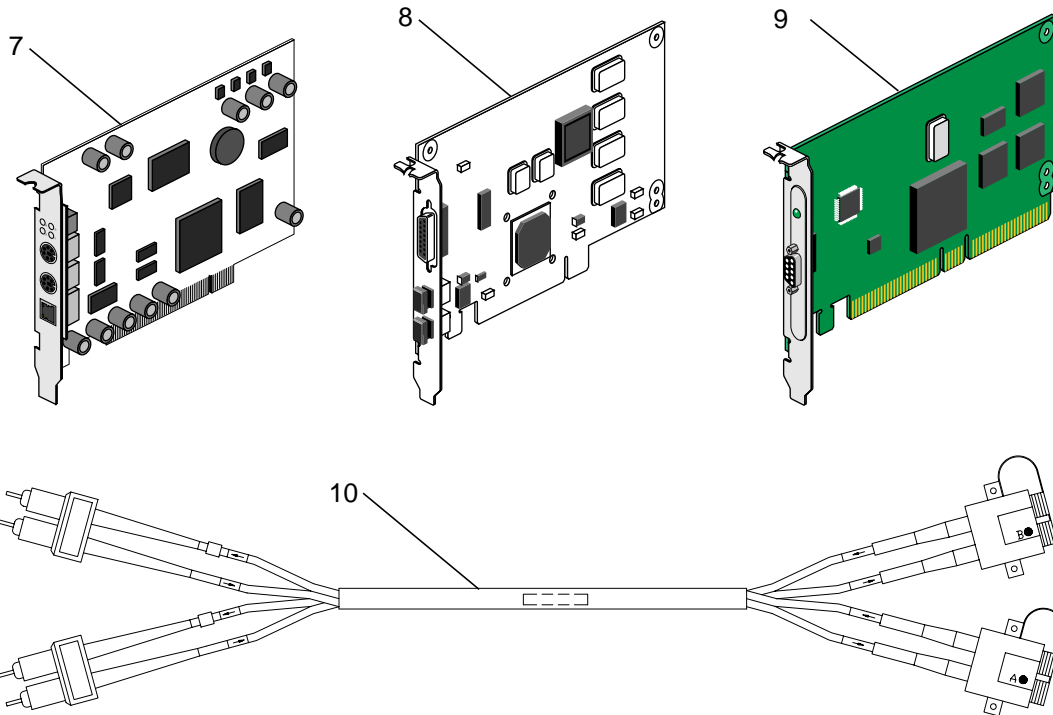
PCI Options

Ref. No.	SGI Part Number	Description	Where Used
1	013-1659-001	PCI - XIO (Xtalk) Adapter Shoebox	O2K
1	9210101	PCA PCI SCSI Ultra Fast & Wide	O2K
2	9210102	PCA PCI Synch Comm RS232	O2K
3	9210105	PCA PCI Ethernet TX	O2K
4	9210107	PCA PCI FDDI UTP	O2K
5	9210108	PCA PCI FDDI SAS	O2K
6	9210109	PCA PCI FDDI DAS	O2K



PCI Options (continued)

Ref. No.	SGI Part Number	Description	Where Used
7	030-1155-002	PCA PCI IOC3	O2K
8	030-0950-001	PCA PCI Radical Audio	O2K
9	9980953	Fiber PCI Channel Card	O2K
10	015-0128-001	Harness Assy, DAS EXT	O2K



This page left blank.

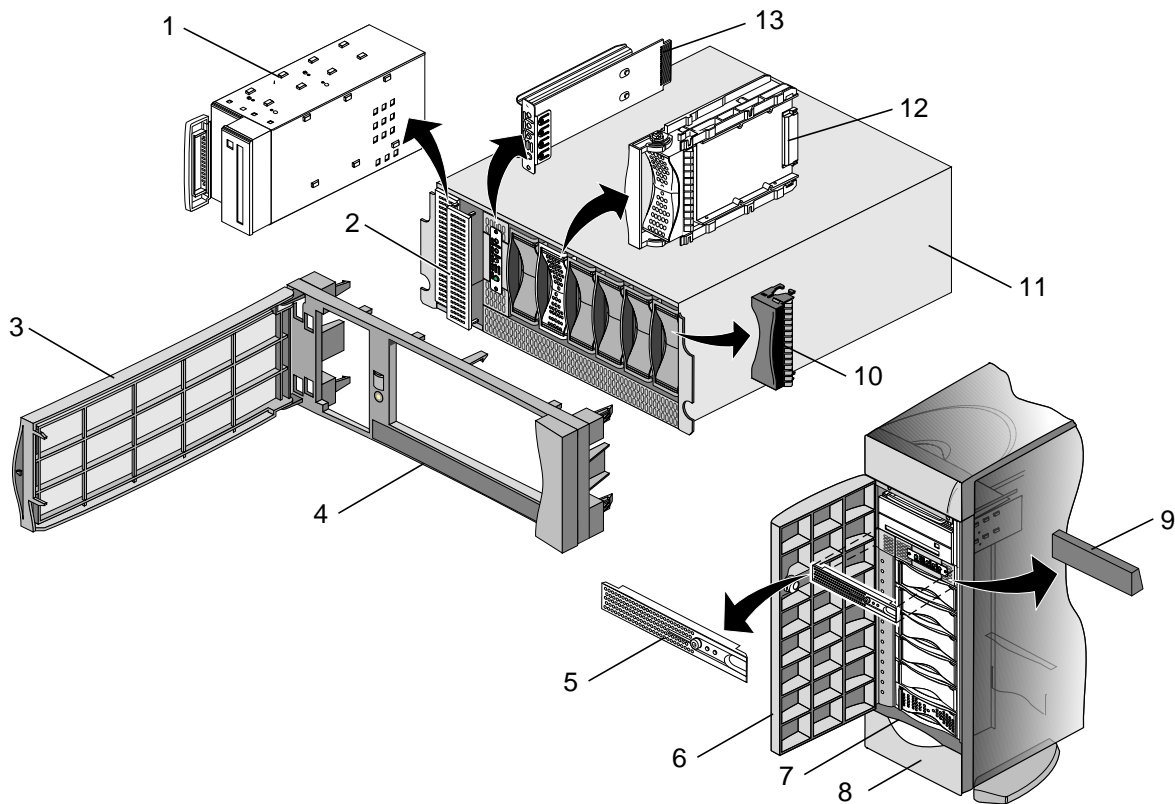
SCSI Options

This section illustrates and describes the Origin Vault SCSI options, including associated cables.

Note: This section does not include all SCSI components that are used with Origin 2000 and Onyx2 systems. For additional SCSI components, please look in other applicable sections, such as in the “[XIO Options](#)” subsection of the “[Boards](#)” section.

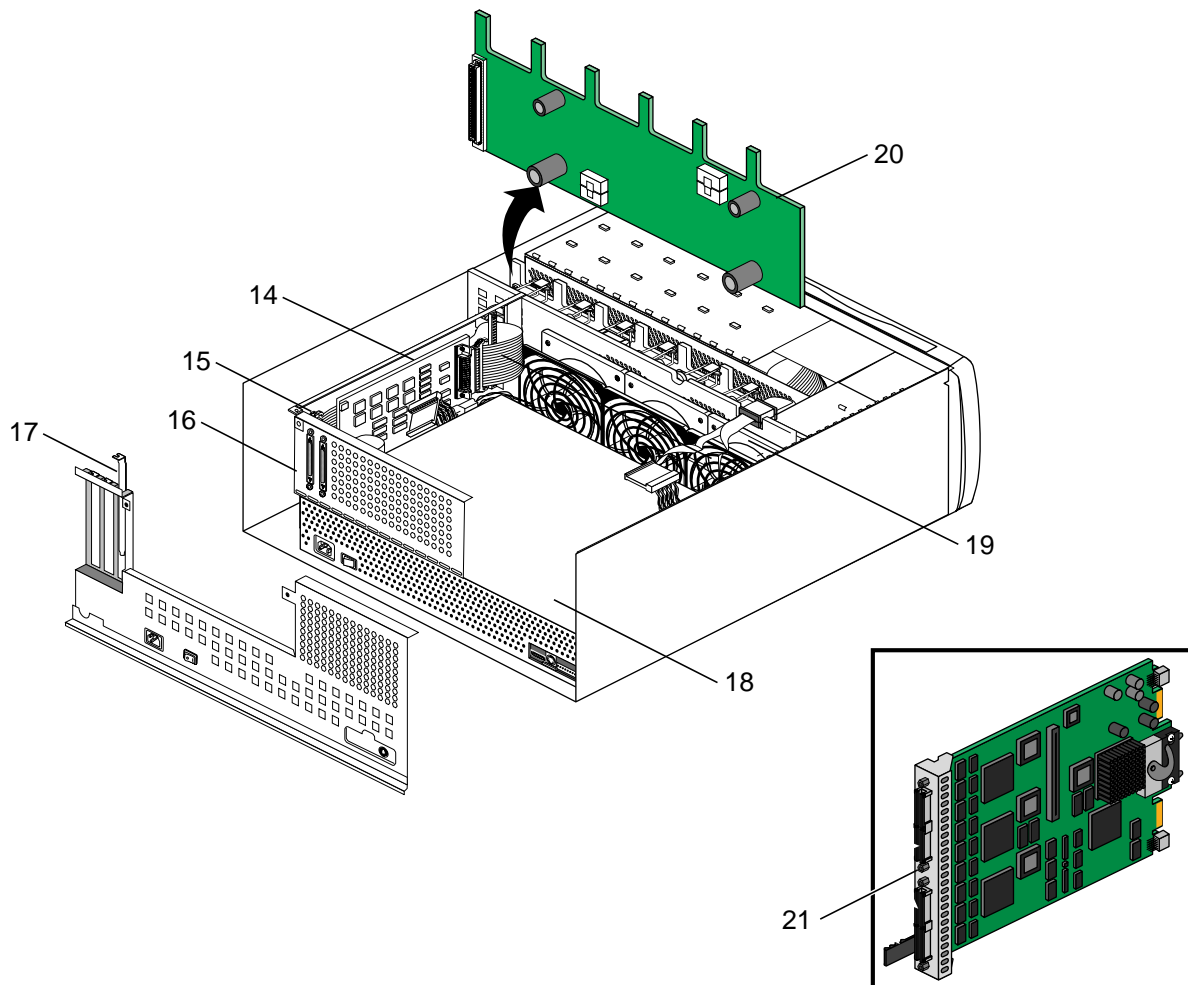
Origin Vault SCSI Options

Ref. No.	SGI Part Number	Description	Where Used
1	013-1927-001	Carrier Assy, 5.25 Drive	O2K
2	050-0415-001	Filler Panel, 5.25 Device Half	O2K
3	013-1934-003	Door Assy, SN00/SCSI SN0(L) Form	O2K
4	013-1933-003	Bezel Assy, SN00/SCSI SN0(L) Form	O2K
5	013-1981-001	Crossbar Assy, OVault	O2K
6	013-1876-001	Door Assy, O200	O2K
7	050-0360-001	Bezel Origin200/Vault	O2K
8	050-0365-001	End Cap Bottom O200 Deskside	O2K
9	050-0441-001	Filler Panel SN0 SCSI	O2K
10	050-0251-001	Drive Filler Panel	O2K
11	013-1717-002	Chassis Assy, Origin200	O2K
12	013-1655-001 013-1656-001 9470221 9470222	Drive Assy, HD 4GB Drive Assy, HD 9GB Drive Assy, 9GB Lo-profile SCSI Rd Drive Assy, 18GB SCSI Rd	O2K O2K O2K O2K
13	013-1887-001	Assy, ELSC Playdoh	O2K

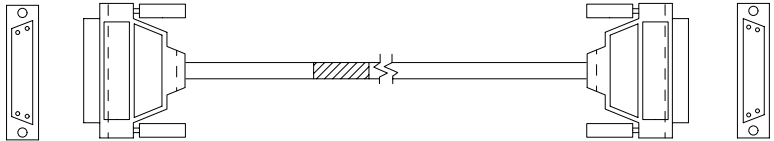
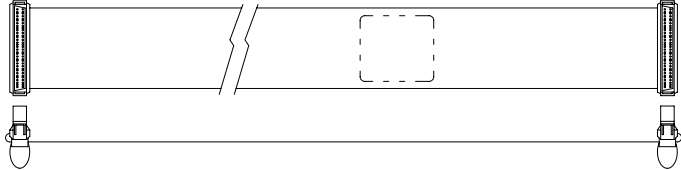
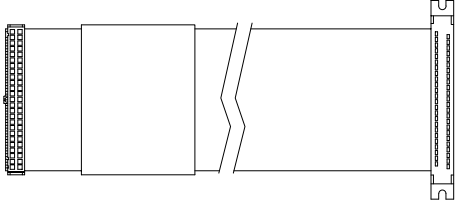
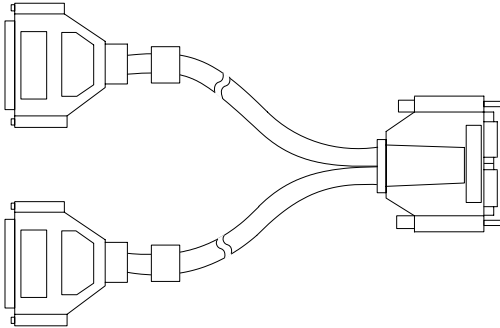


Origin Vault SCSI Options (continued)

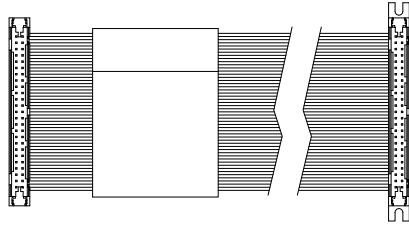
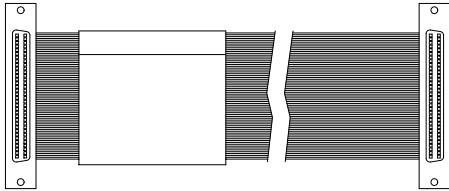
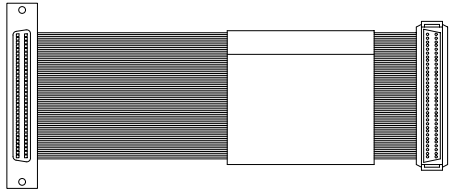
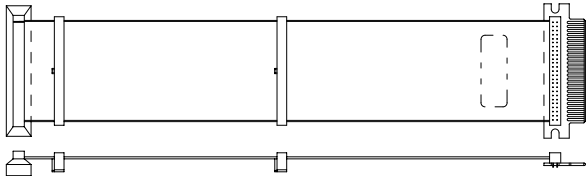
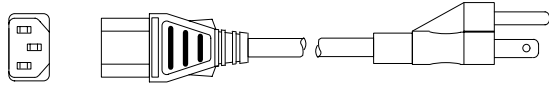
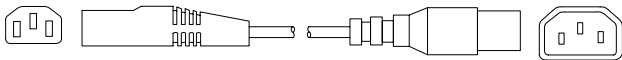
Ref. No.	SGI Part Number	Description	Where Used
14	9470181	Controller, SCSI DIFF to SE Fast-20	O2K
15	030-0511-001	PCA SCSI 68-50 Adapter	O2K
16	013-1892-001	Assy Differential Option Vault	O2K
17	9980986	PCI Blank Panel	O2K
18	060-0029-001	Power Supply, AC/DC 483W Output	O2K
19	9310120	Fan, 118CFM	O2K
20	030-1024-003	PCA SCSI Backplane	O2K
21	030-1243-001	PCA MSCSI B	O2K



Origin Vault SCSI Option Cables

SGI Part Number	Description	Where Used
018-0546-301 018-0546-401 018-0546-501	Cable Assy, SCSI-3 68-68P 1 meter (MSCI) Cable Assy, SCSI-3 68-68P 2 meter (MSCI) Cable Assy, SCSI-3 68-68P 10 meter (MSCI) 	O2K O2K O2K
018-0558-001	Cable Assy, Ultra SCSI Ribbon 	O2K
018-0559-001	Cable Assy, SCSI Ribbon 	O2K
018-0561-002 018-0561-102	Cable Assy MSCSI 1 ft. Cable Assy, MSCSI 8 ft. 	O2K O2K

Origin Vault SCSI Option Cables (continued)

SGI Part Number	Description	Where Used
018-0630-001	Cable Assy, 50P RBN to BLKHD 	O2K
018-0631-001	Cable Assy, 68P RBN to BLKHD 	O2K
018-0632-001	Cable Assy, 68P RBN to BLKHD 	O2K
018-0678-001	Cable Assy, 5.25 SCSI Adapter 2x50 	O2K
9350102	Power Cord, NA 	Origin200, Origin Vault
9350818	Power Cord, 250V 10A C14G Jumper 	O2K, OX2, MR

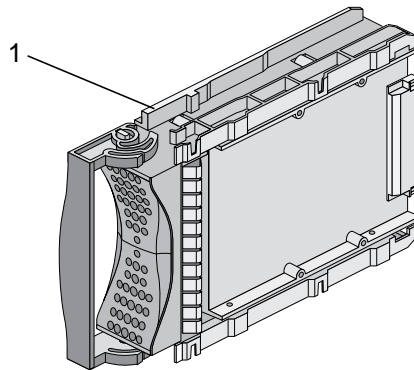
This page left blank.

Media Devices

This section illustrates and describes the internal and external media devices that are commonly used with Origin 2000 and Onyx2 systems, including associated cables.

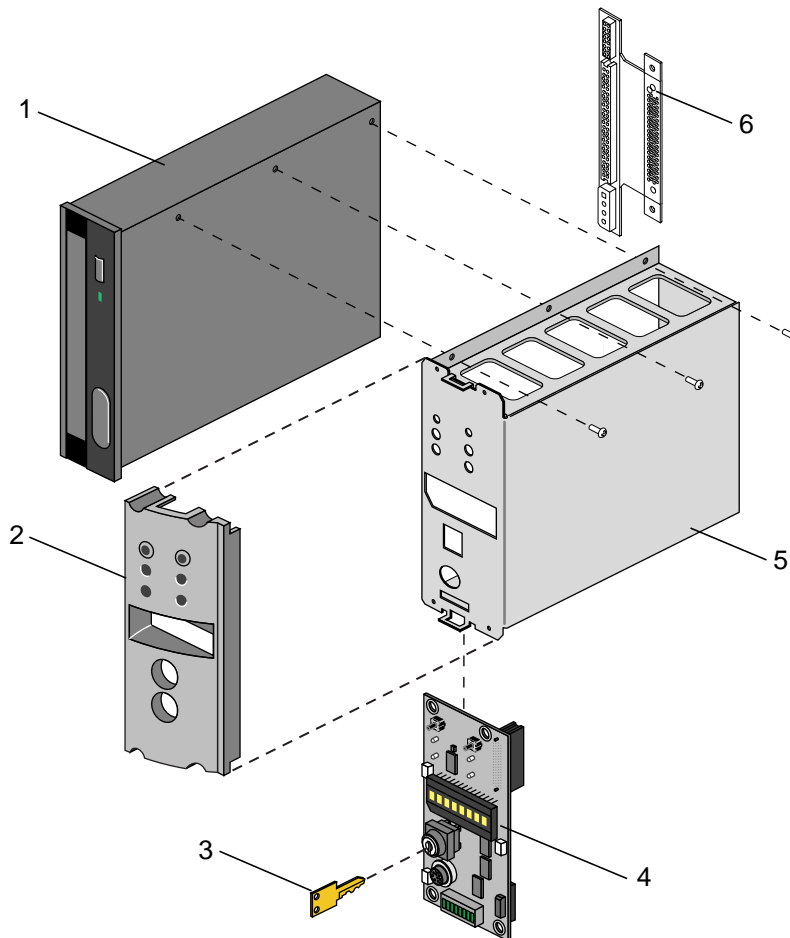
Hard Drives

Ref. No.	SGI Part Number	Description	Where Used
	013-1654-001	Drive Assy HD 2GB 3.5" FAST20 W SCA-80P (image not available)	O2K
1	013-1655-001	Drive, HD 4.5GB 3.5 FCAL SCA-40P	O2K
	013-1656-001	Drive, HD 9.1GB 3.5 FCAL SCA-40 (9.0GB Fast20)	O2K
	013-1840-001	Drive Assy HD 4.5GB 3.5" F20W SCA (image not available)	O2K
	013-1841-001	Drive Assy HD 9GB 3.5 F20W SCA (image not available)	O2K
	013-2223-001	Assy Drive HD 2.2 GB Ultra SCSI (image not available)	O2K
	013-2324-001	Drive, System 18GB O2000 (image not available)	O2K
	9470162	Drive Assy 4.5GB SCSI RAID (image not available)	O2K



CD-ROM Drive

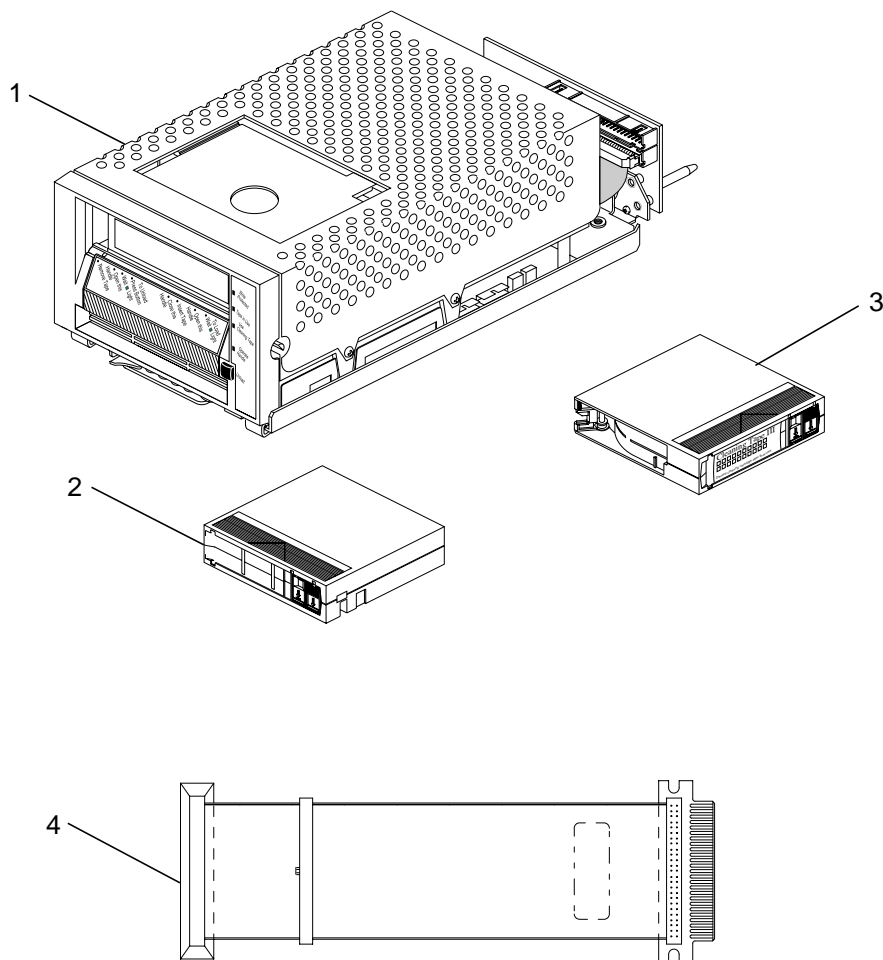
Ref. No.	SGI Part Number	Description	Where Used
1	064-0033-001	Drive, CD 4X Low Cost Int5401	O2K, OX2
	064-0052-001	Drive, CD12X 5.25	O2K, OX2
2	013-1756-001	Bezel Assy, ELSC (MSC)	O2K, OX2
3	9980967	Key System ELSC Marked S2001	O2K, OX2
4	030-0859-007	PCA SYS Cntrl Assy Entry Level (MSC) O2K	O2K, OX2
5	040-1543-002	Housing, ELSC Assembly	O2K
6	030-1109-002	PCA CDROM SCA Flex Circuit	O2K
	030-1256-001	PCA CDROM 12x Flex Circuit	O2K, OX2



Tape Drives

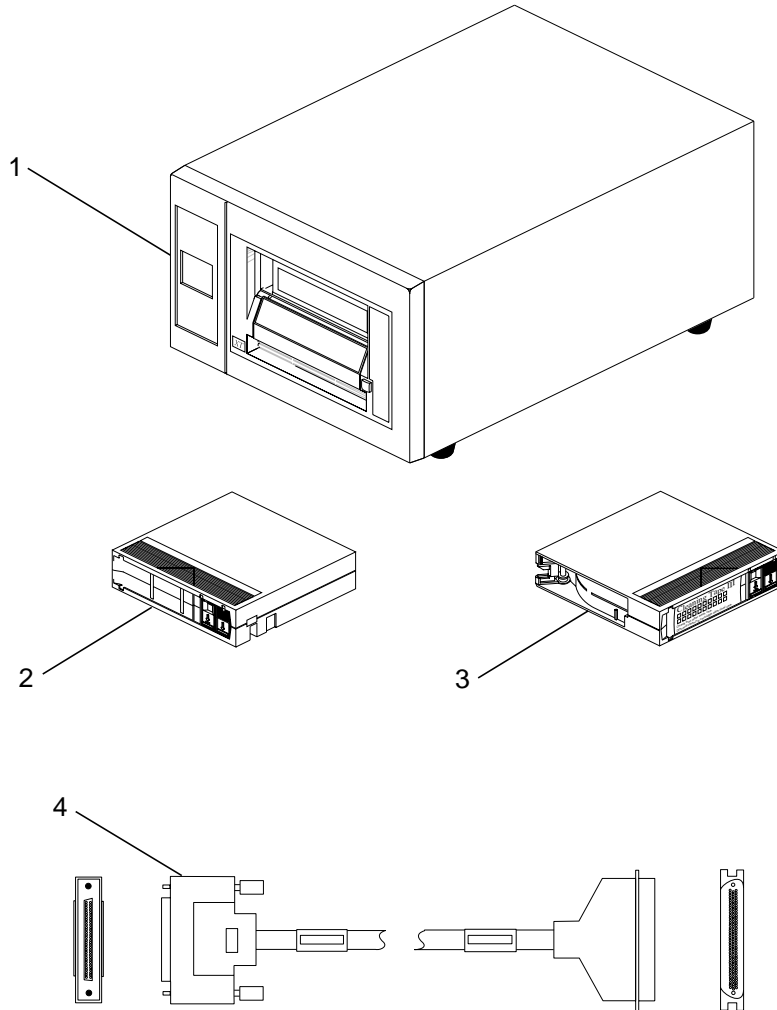
DLT2000XT Internal Option

Ref. No.	SGI Part Number	Description	Where Used
1	041-0221-001	Drive TP 15GB SCSI SE DLT	O2K
2	041-0209-001	Data Cartridge DLT XT	O2K
3	041-0130-001	Cleaning Cartridge DLT	O2K
4	018-0677-001	Cable Assy, 5.25 SCSI Adapter 1x50	O2K



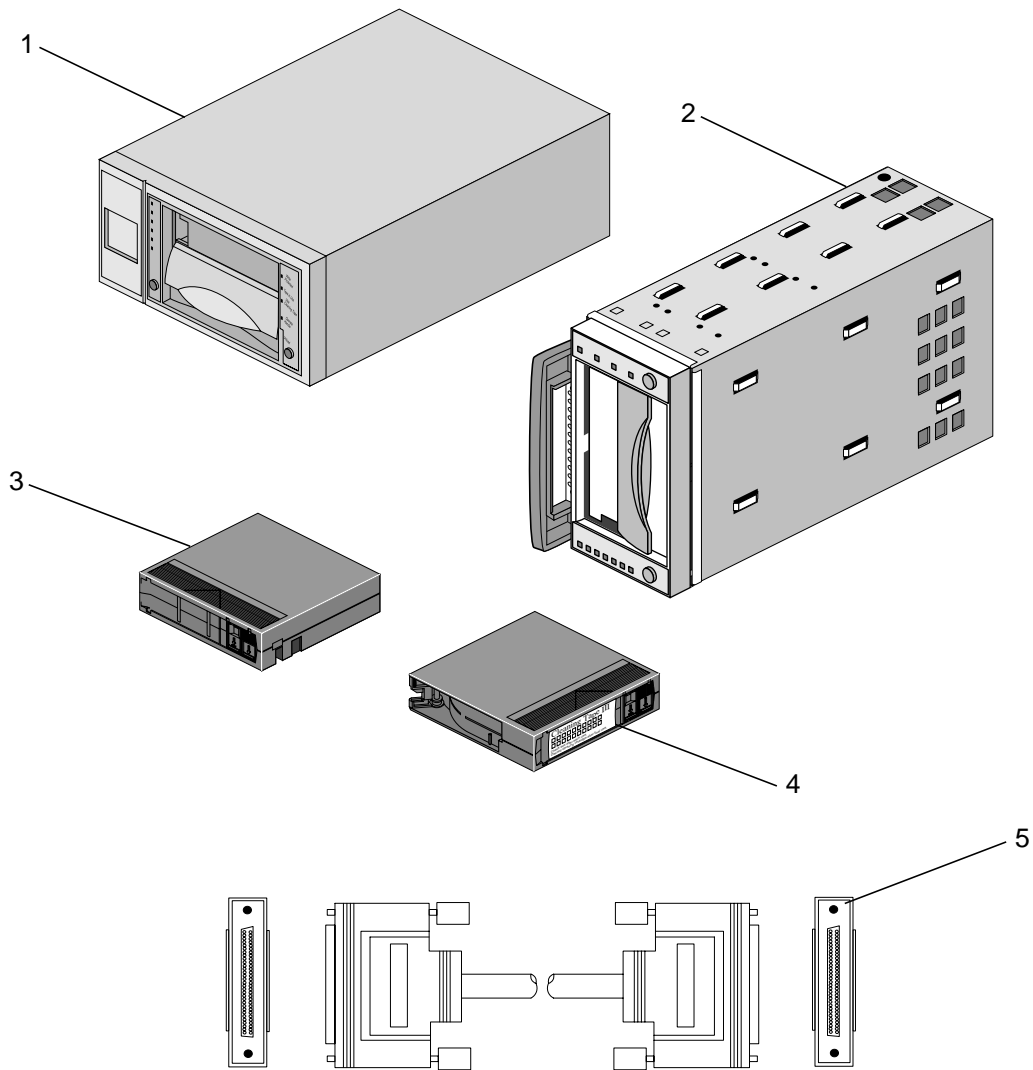
DLT2000XT External Option

Ref. No.	SGI Part Number	Description	Where Used
1	041-0210-001	Drive TP 15GB SCSI Desktop SE DLT	O2K
2	041-0209-001	Data Cartridge DLT XT	O2K
3	041-0130-001	Cleaning Cartridge DLT	O2K
4	018-0605-001	Cable Assy, Ext SCSI SE 50-68P 12 Ft.	O2K



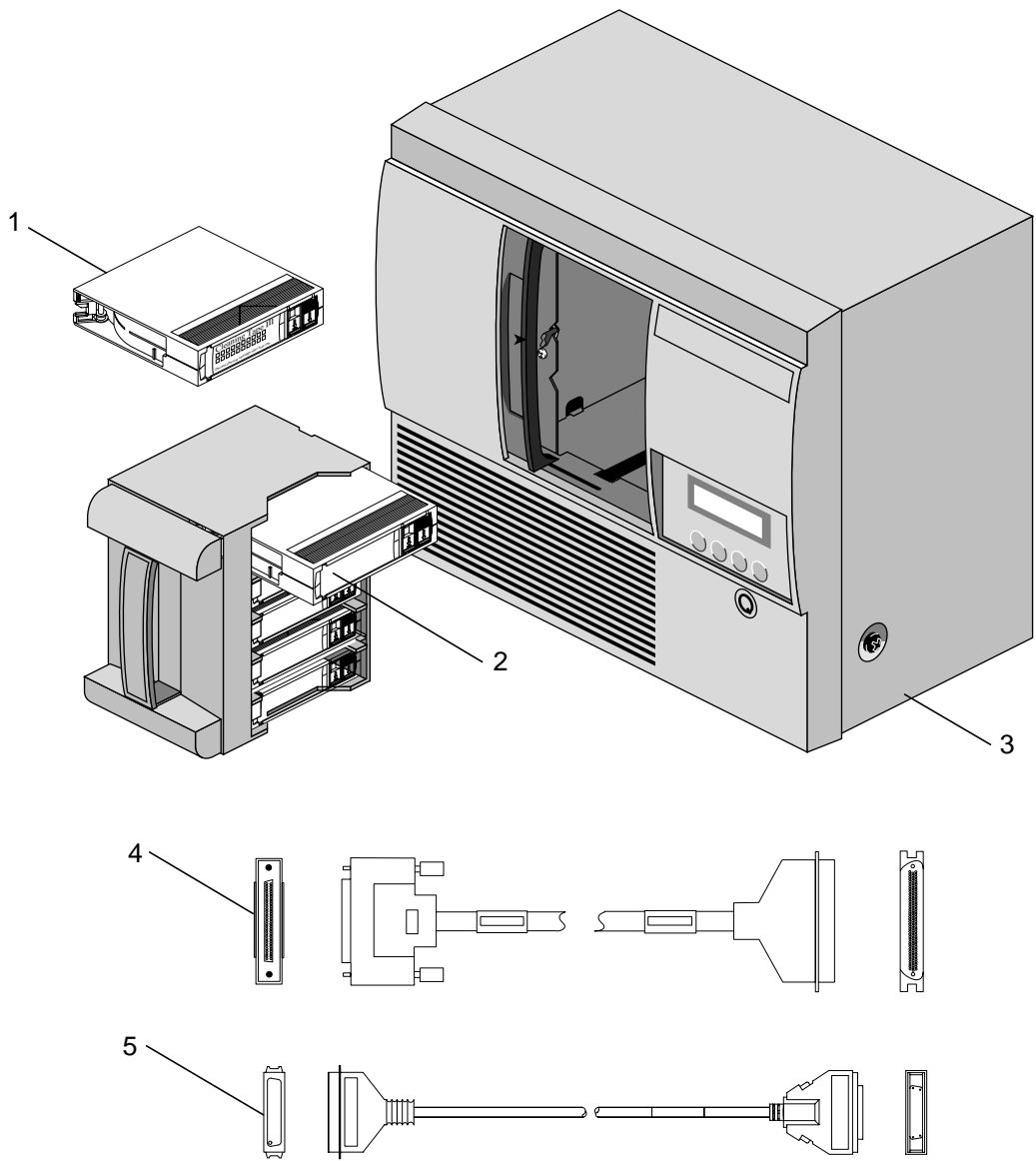
DLT7000 Tape Option

Ref. No.	SGI Part Number	Description	Where Used
1	041-0220-001	Drive TP 35.0GB SCSI-DF, External	O2K, OX2
2	041-0223-001	Drive TP 35.0GB SE DLT, Internal	O2K, OX2
3	041-0222-001	Data Cartridge DLT 35.0GB	O2K, OX2
4	041-0130-001	Tape Cleaning Cartridge DLT	O2K, OX2
5	9290103	Cable Assy, 68P Plug Str Exit 12 Ft.	O2K, OX2



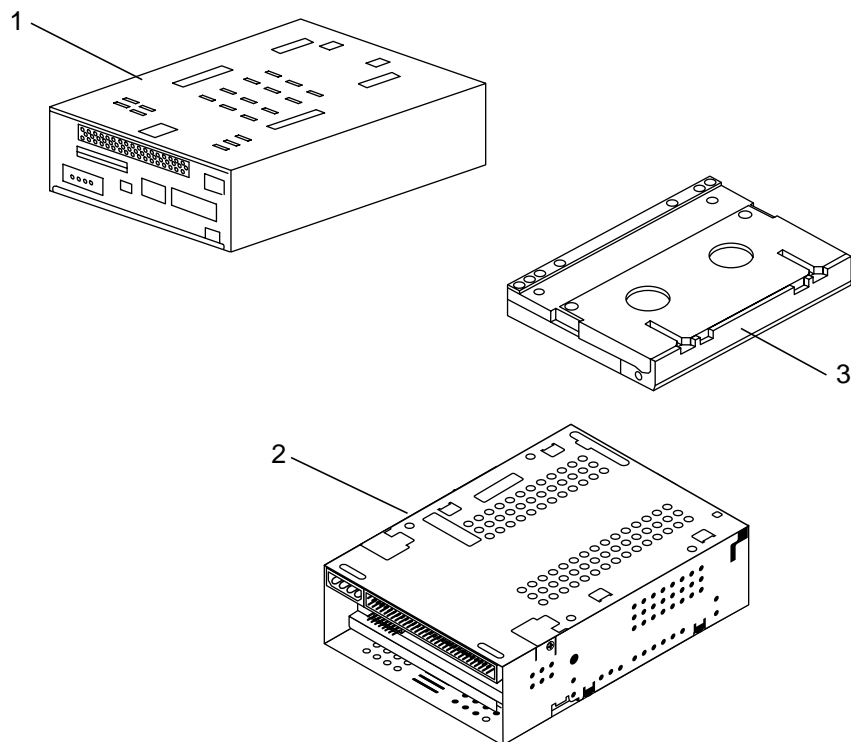
DLT25XT Option

Ref. No.	SGI Part Number	Description	Where Used
1	041-0130-001	Cleaning Cartridge DLT	O2K
2	041-0209-001	Data Cartridge DLT XT	O2K
3	041-0224-001	Tape Drive, 5 Cartridge Desktop	O2K
4	018-0605-001	Cable Assy, Ext SCSI SE 50-68P	O2K
5	018-8124-001	Cable Assy, CEN50 Hiden 50 1 meter	O2K



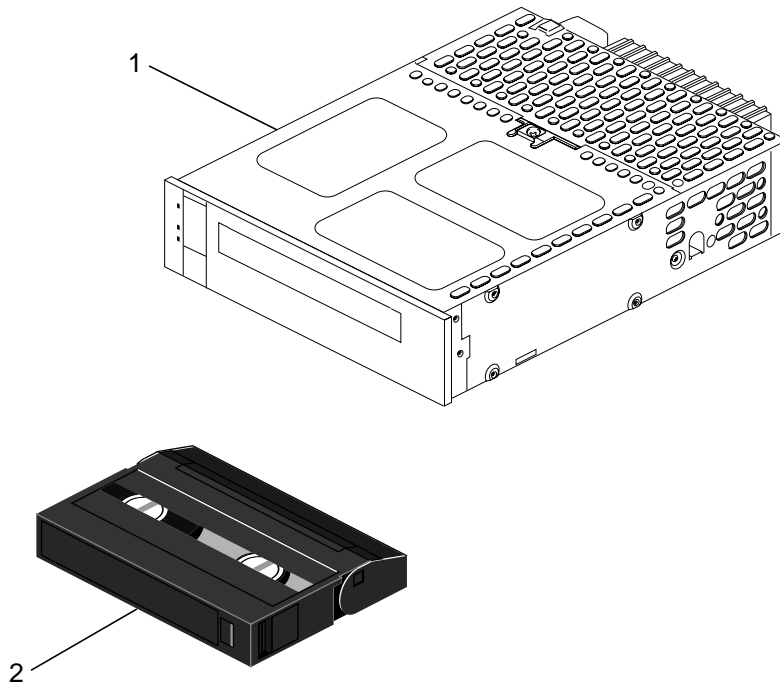
4MM DAT Options

Ref. No.	SGI Part Number	Description	Where Used
1	013-2160-001	Drive Assy TP DDS-2 DAT	O2K, OX2
2	064-0018-001	Drive TP DAT DDS2 Internal	O2K, OX2
3	9420104	Tape, 4MM DAT 120 meter	O2K, OX2
4	9480018	Tape Cleaning Cartridge DDS (image not available)	O2K, OX2



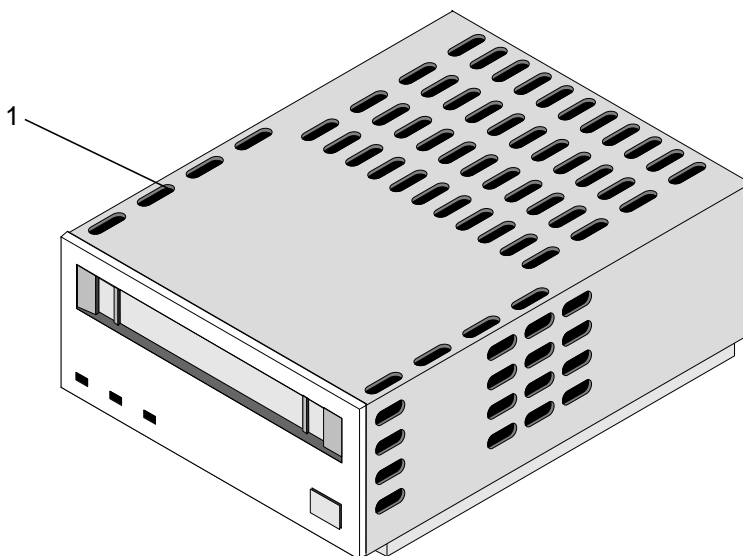
8MM 7GB Option

Ref. No.	SGI Part Number	Description	Where Used
1	064-0004-002	Drive TP 7GB 8MM	O2K
2	9420103	Tape 8MM 160M Data Cartridge	O2K
3	9480012	Tape 3X Cleaning Cartridge 8MM (image not available)	O2K



DDS-3 DAT Internal

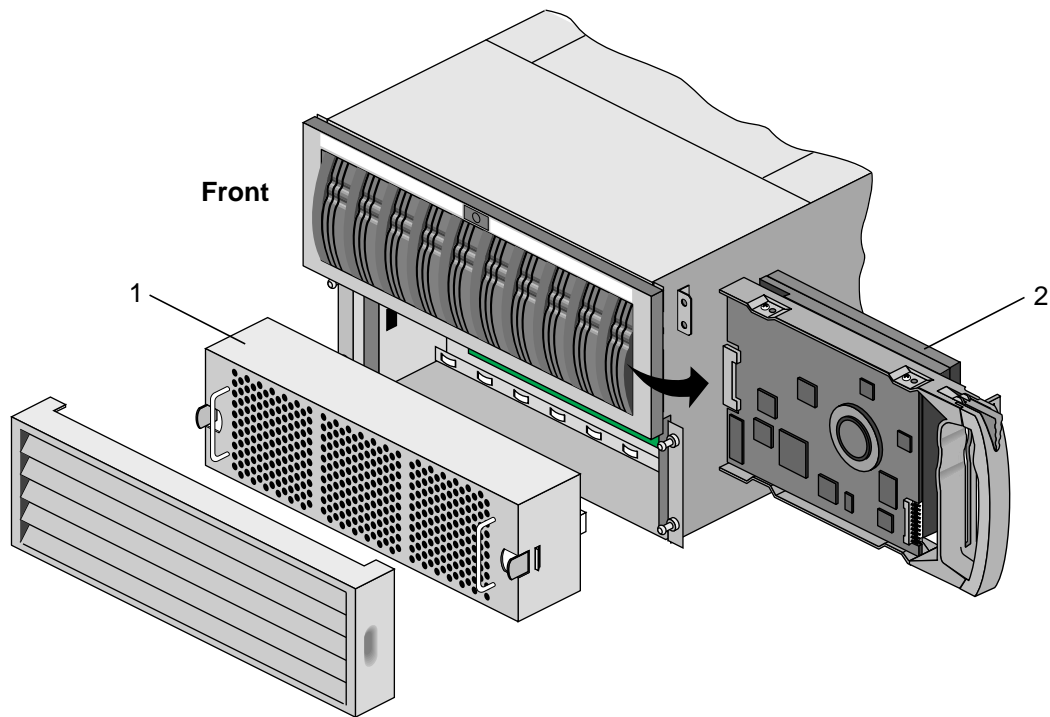
Ref. No.	SGI Part Number	Description	Where Used
1	013-2282-001	Drive DAT DDS3 INTL 12/24GB	O2K, OX2
2	041-0240-001	Cartridge, Data DDS3 125M (image not available)	O2K, OX2
3	9480018	Tape Cleaning Cartridge DDS (image not available)	O2K, OX2



Fibre Channel Disk Options

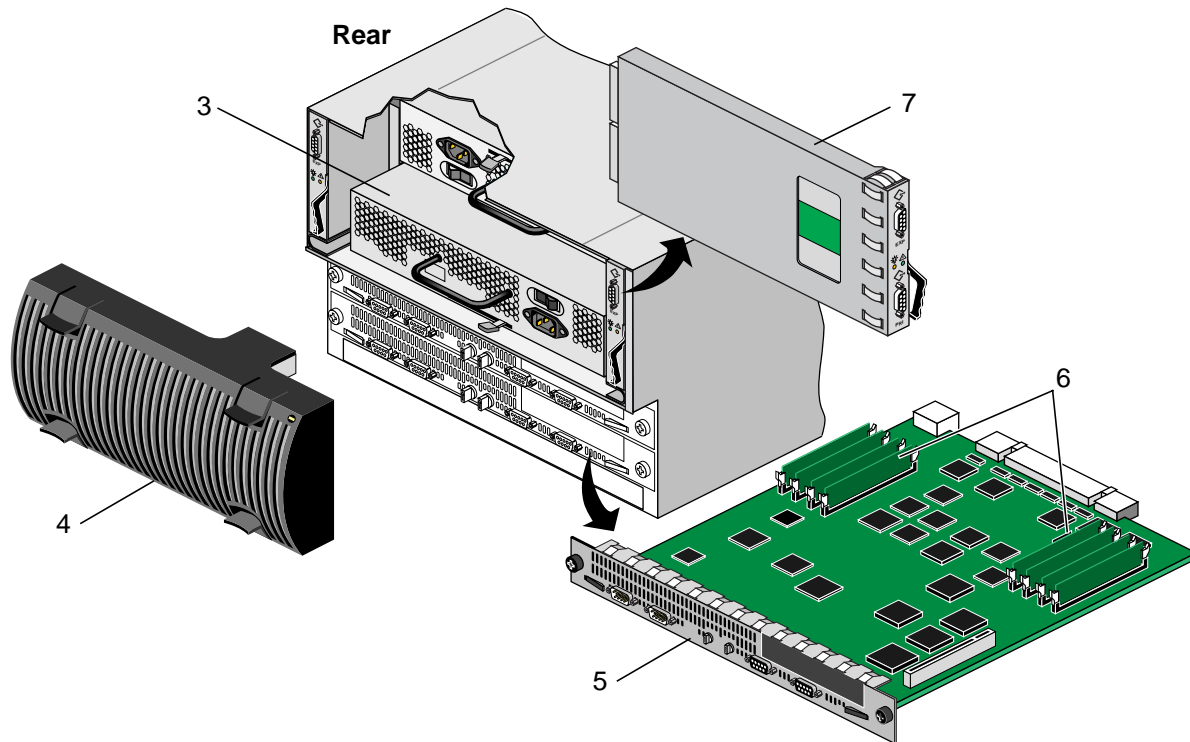
Fibre Channel Disk

Ref. No.	SGI Part Number	Description	Where Used
1	9470148	Fan Module, FC RAID Controller	O2K
2	9470138 9470140	Drive Assy, DAE/DPE 8.8GB FC RAID Drive Assy, DAE 9.1GB FC JBOD	O2K O2K

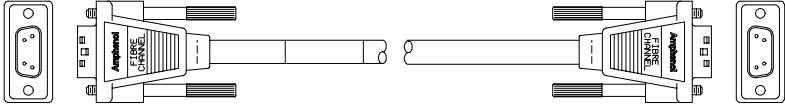
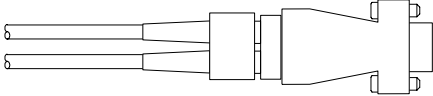


Fibre Channel Disk (continued)

Ref. No.	SGI Part Number	Description	Where Used
3	9470143	Power Supply, DAE	O2K
	9470153	Power Supply, DPE	O2K
4	9470147	Fan Module, DAE/DPE	O2K
5	9470146	Controller, FC RAID	O2K
6	9470150	DIMM 8MB FC RAID Controller	O2K
	9470151	DIMM 32MB FC RAID Controller	O2K
	9470152	DIMM 128MB FC RAID Controller	O2K
7	9470144	PCA, LCC DAE	O2K
	9470145	PCA, LCC DPE	O2K



Fibre Channel Disk Option Cables

SGI Part Number	Description	Where Used
018-0570-001 018-0571-001 9470156	Cable Assy, Fibre Chnl Copper 10 meter Cable Assy, Fibre Chnl Copper 25 meter Cable Assy, FC Copper, 0.3 meter 	O2K O2K O2K
018-0656-001 018-0656-101 018-0656-201 018-0656-301 018-0656-401 9980952	Cable Assy, OPT SC DUP GBIT 3 meter Cable Assy, OPT SC DUP GBIT 10 meter Cable Assy, OPT SC DUP GBIT 25 meter Cable Assy, OPT SC DUP GBIT 100 meter Cable Assy, OPT SC DUP GBIT 300 meter Fiber Optic Extender 770-810NM 	O2K O2K O2K O2K O2K O2K
9470160	Pwr Cord Rack HA Export (image not available)	O2K

This page left blank.

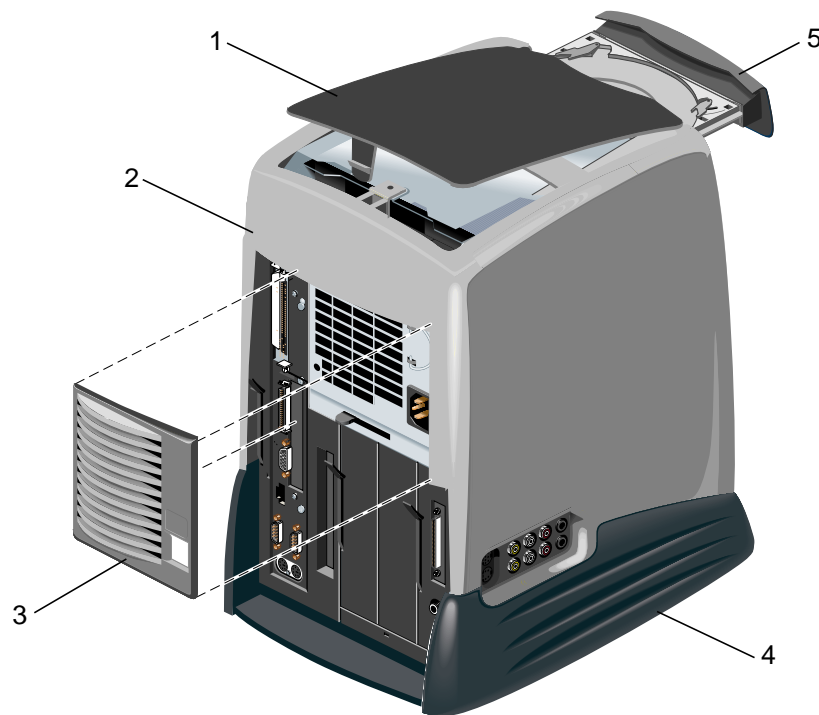
Workstations, Monitors, and Associated Components

This section illustrates and describes the workstations, monitors, and associated components that are commonly used with Origin 2000 and Onyx2 systems.

Note: This section does not include all of the options that are available for some components. If you do not find the part you need, search for it using the *Pole Vault* query tools at <http://lurch.corp.sgi.com/>.

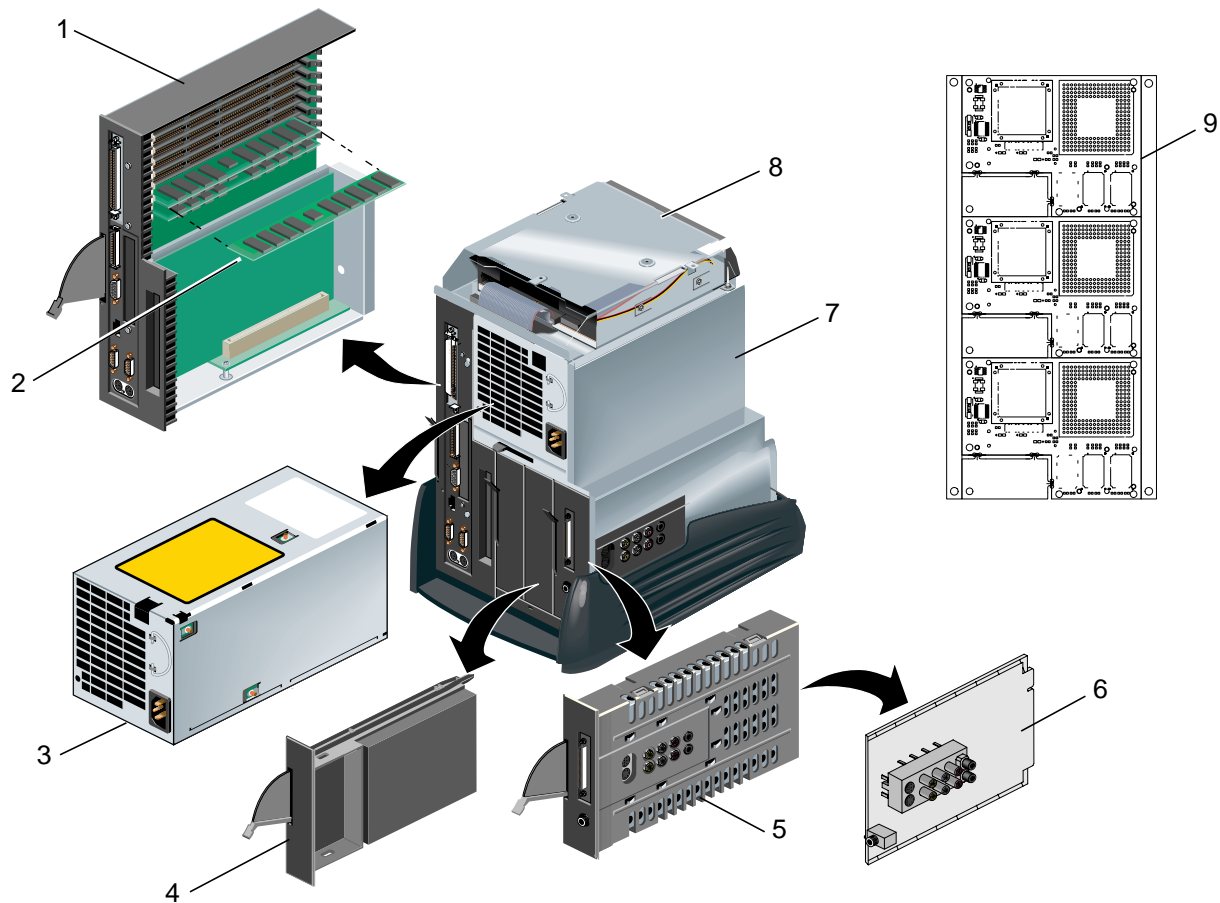
O2 Panels/Covers

Ref. No.	SGI Part Number	Description	Where Used
1	050-0179-001	Scalp (top panel)	O2
2	013-2077-001	Bucket Assy, For 12xCD Drive	O2
	013-1405-001	Bucket Assy	O2
3	050-0146-001	Bezel, Power Supply	O2
4	013-1404-101	Skirt Assy R10K	O2
5	013-2076-001	Door Assy, CD 12x Drive	O2



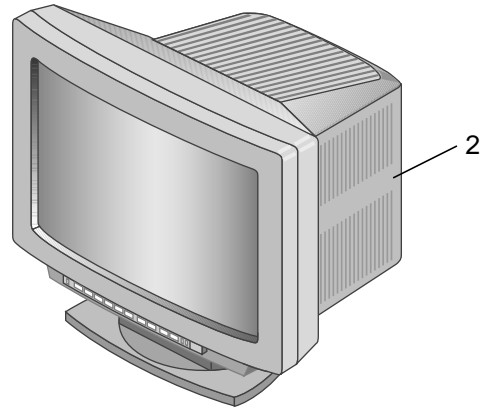
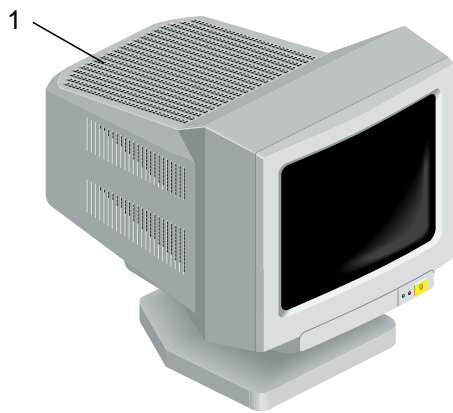
O2 Internal Components

Ref. No.	SGI Part Number	Description	Where Used
1	013-1486-003	PCA IP32 & Sled	O2
2	030-0876-002	PCA, O2 Memory DIMM 32MB 2Mx144	O2
3	060-0032-001	Power Supply, O2 170W Class B	O2
4	013-2062-001	Drive System Carriage 2GB Assy O2	O2
5	013-1865-002	Audio Assy, O2	O2
	013-1406-002	A/V Module Assy	O2
6	030-1145-001	PCA, O2 Audio Only Board	O2
7	013-2206-002	Chassis Assy	O2
8	013-2190-001	Drive CD Assy, 12X	O2
9	030-1039-002	PCA, O2 PGA Triton 180PC CPU Board	O2



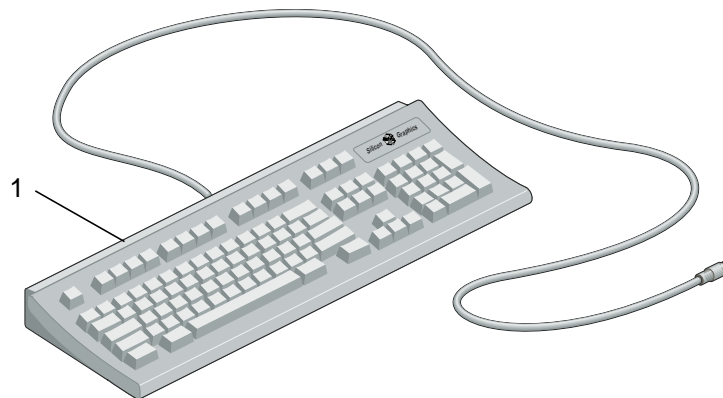
Monitor Options

Ref. No.	SGI Part Number	Description	Where Used
1	061-0009-001	Monitor 20" Trinitron Hi-res TCD	All systems
	061-0010-001	Monitor 17" DDC 85KHZ	
	061-0011-001	Monitor 17" DDC 85KHZ Korean	
	061-0012-001	Monitor 15" DDC 60KHZ	
	061-0017-001	Monitor 20" 30-95KHZ Korean	
	061-0018-001	Monitor 20" 30-95KHZ S. Hemi	
	061-0020-001	Monitor 17" 30-85 KHZ S-Hem	
	061-0023-001	Monitor, 17" N3	
	061-0025-001	Monitor 20" N3 N Heim (standalone)	
	061-0005-001	Monitor, 20" Trinitron Hi-resolution	
2	061-0021-001	Monitor, 24" 30 96KHZ	All systems



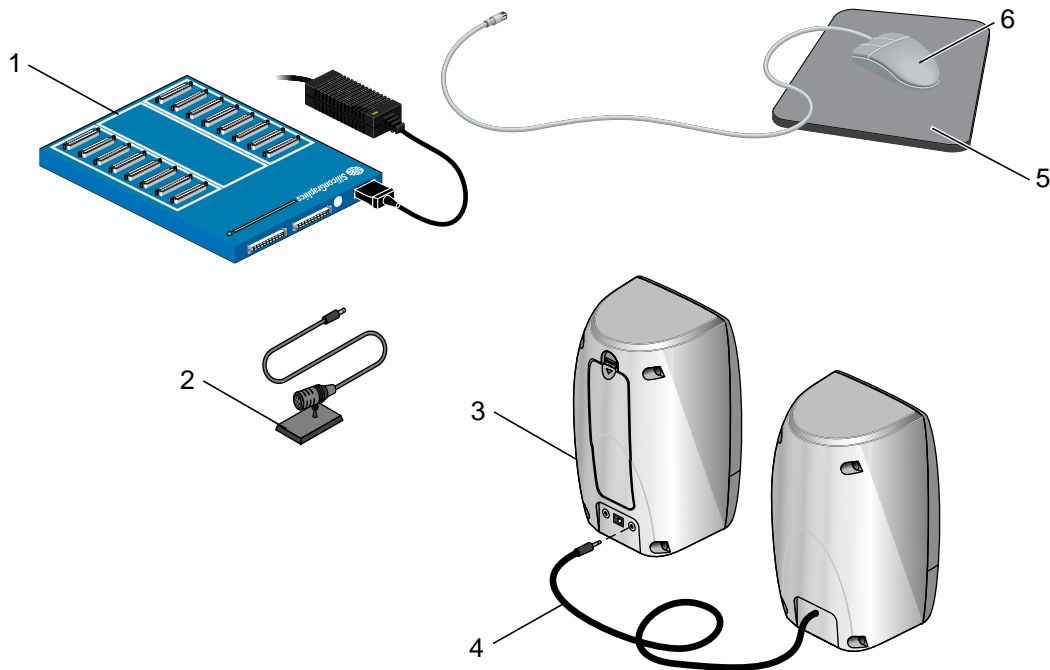
Keyboard Options

Ref. No.	SGI Part Number	Description	Where Used
1	062-0002-001	Keyboard 101 Key PS/2 USA	All systems
	062-0002-002	Keyboard 102 Key PS/2 German	
	062-0002-003	Keyboard 102 Key PS/2 French	
	062-0002-004	Keyboard 102 Key PS/2 Italian	
	062-0002-005	Keyboard 102 Key PS/2 Spanish	
	062-0002-006	Keyboard 102 Key PS/2 English U.K.	
	062-0002-007	Keyboard 102 Key PS/2 Swiss	
	062-0002-008	Keyboard 102 Key PS/2 Norwegian	
	062-0002-009	Keyboard 102 Key PS/2 Portuguese	
	062-0002-010	Keyboard 102 Key PS/2 Danish	
	062-0002-011	Keyboard 102 Key PS/2 Belgian	
	062-0002-012	Keyboard 102 Key PS/2 Swed/Finn	
	062-0002-013	Keyboard 102 Key PS/2 Cyrillic	
	062-0002-014	Keyboard 102 Key PS/2 Arabian	
	062-0002-015	Keyboard 102 Key PS/2 Japan	
	062-0002-016	Keyboard 102 Key PS/2 Korea	
	062-0006-001	Keyboard w/ Beep US NMB	


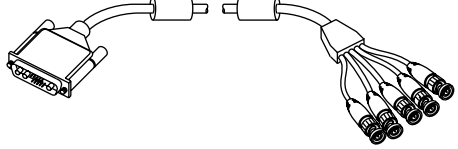
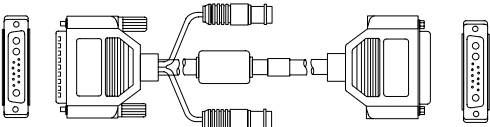
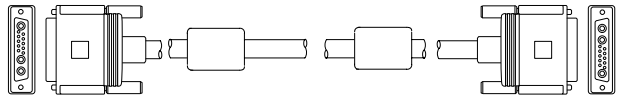
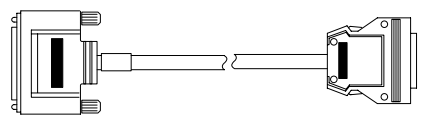
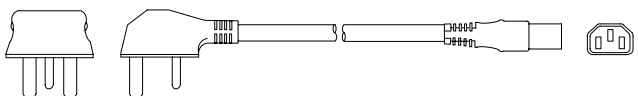
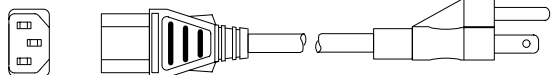


Accessories

Ref. No.	SGI Part Number	Description	Where Used
1	9930117	Console IRIS ST-1616 Multiplexor	O2K
2	9981135 9980990	Microphone, Directional Black Microphone, Light Gray	All systems
3	042-0213-001	Speaker Assy, Octane	
4	018-0622-001	Cable Assy, 30 Ft. Extension Speaker	
5	021-0063-301 021-0063-001	Mousepad, Multi-graphic Mousepad, SGI	
6	063-0009-001	Mouse, Opto-Mech Model S 35	



Cables

SGI Part Number	Description	Where Used
018-0526-001	Cable Assy, Terminal 25P D - 8P DIN 	O2K, OX2
018-0592-001	Cable Assy EXT KB & Mouse (image not available)	O2K, OX2
018-0633-001	Cable Assy ADPT 1FT 13W3 F TO 5 BNC 	O2K, OX2
018-0634-001	Cable Assy ADPT 13W3M TO 13W3F 2BNC 	O2K, OX2
018-0646-002	Cable Assy 13W3 to 13W3 Male 30Ft 	O2
018-0689-001	Cable Assy, SCSI 68P/50P Hiden 0.5 meter (dumb terminal) 	O2K, OX2
9350017	PWR Cord 240V 10A UK W/Plu 	OX2, O2
9350032	Pwr Cord 240V 10A Blk Intl (image not available)	O2K, OX2, O2
9350102	Power Cord, NA (North America) 	O2

This page left blank.

Hardware Maintenance Tools

This section describes the common handheld tools that are required to maintain Origin 2000 systems. You may order these tools from Logistics in Chippewa Falls, Wisconsin.

Tools List

SGI Part Number	Description
01140800	Kit, Solderless Terminal
01263600	Multimeter, Digital
01399000	Tape, Elect. Black 3/4"
01523100	Cutter, Diagonal
01523200	Knife, Electricians
01523700	Pliers, 6" Side Cutting
01523800	Pliers, 6" Slip Joint
01524500	Wrench, Adjustable 8"
01524900	Screwdriver Set, Phillips
01524901	Screwdriver Set, Flat Blade
01527500	Screwdriver Set, Jewelers
01528300	Scissors
01529400	Holder, Hemostat Curved
01529401	Holder, Hemostat Straight
01531200	Mirror, Inspection TLSCP
01531700	Tweezers, Micro Curved
01605900	Kit, Portable ESD
01714300	Wrist Strap, Fabric W/Cord Small
01714301	Wrist Strap, Fabric W/Cord Medium
01714302	Wrist Strap, Fabric W/Cord Large
13348200	Wrench, Adjustable 10 Inch
15255800	Flashlight
37039100	Balldriver, 7/64 Hex Socket
51908400	Pliers, Needle Nose
80022100	Bit, Hex 7/64"
80032100	Screwdriver, Torque Preset 6" Oz.
80025700	Duster Spray, Envi-Ro-Tech 1671
80049700	Screwdriver, Power Torque 6-in. lbs
80051000	Bit, 7/64 Hex Power, 1/4 in. Hex Drive
90442801	Balldriver, 9/64 Hex
	Choose:
01598200	Smock, Blue Women's Small
01598201	Smock, Blue Women's Medium
01598202	Smock, Blue Women's Large

Tools List (continued)

SGI Part Number	Description
01598203	Smock, Blue Women's X Large
01598204	Smock, Blue Women's XX Large
01598205	Smock, Blue Men's Medium
01598206	Smock, Blue Men's Large
01598207	Smock, Blue Men's X Large
01598208	Smock, Blue Women's X Small
01598219	Smock, Blue Men's XX Large
01598221	Smock, Blue Men's XXX Large

