
Silicon Graphics® Octane® DIMM Bracket Instructions

This flier provides information for removing and installing the DIMM bracket on the system module in the Octane workstation.

The instructions in this flier are supplemental to the instructions found in the *Silicon Graphics Octane Workstation Owner's Guide*. Follow the instructions in the owner's guide to power off the system, attach the wrist strap, and remove the system module. Begin following these instructions as soon as the system module is removed.

Your system may have a bracket already installed, or you may be installing one as part of the DIMM upgrade.

- To install a bracket that came with your DIMM upgrade shipment, first install the DIMMs and then go to "Installing the DIMM Bracket" on page 4.
- To remove a bracket that is already installed in the system, go to "Removing the Bracket" on page 2.

Removing the Bracket

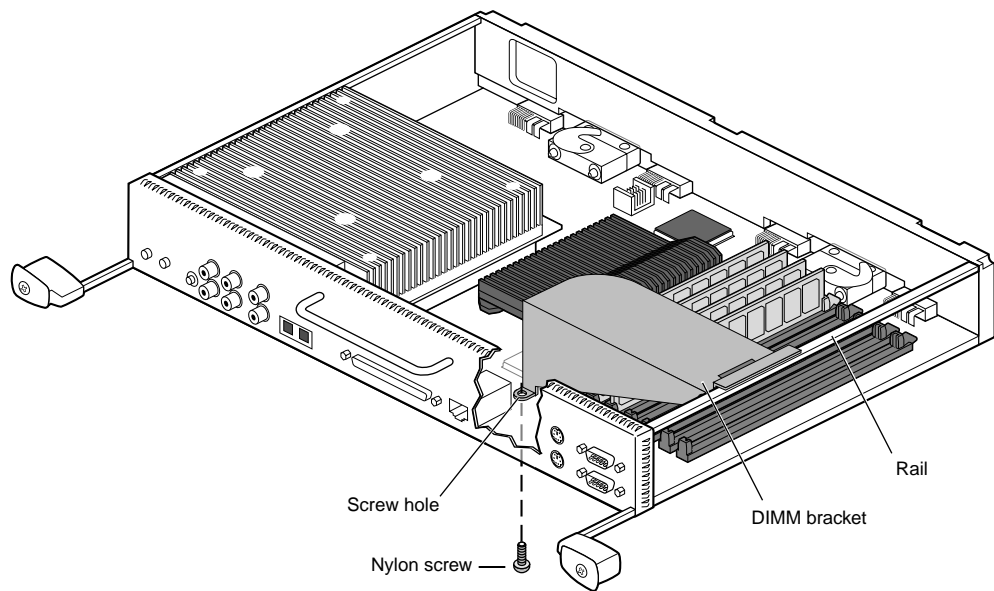


Figure 1 Locating the Screw Holding the Bracket to the System Module

The DIMM bracket is installed in the system, and must be removed before DIMMs are installed or removed.

1. Turn the system module so that the flat side is up.
2. Using a Phillips screwdriver, remove the nylon screw.
3. Holding the bracket in place, turn over the system module.

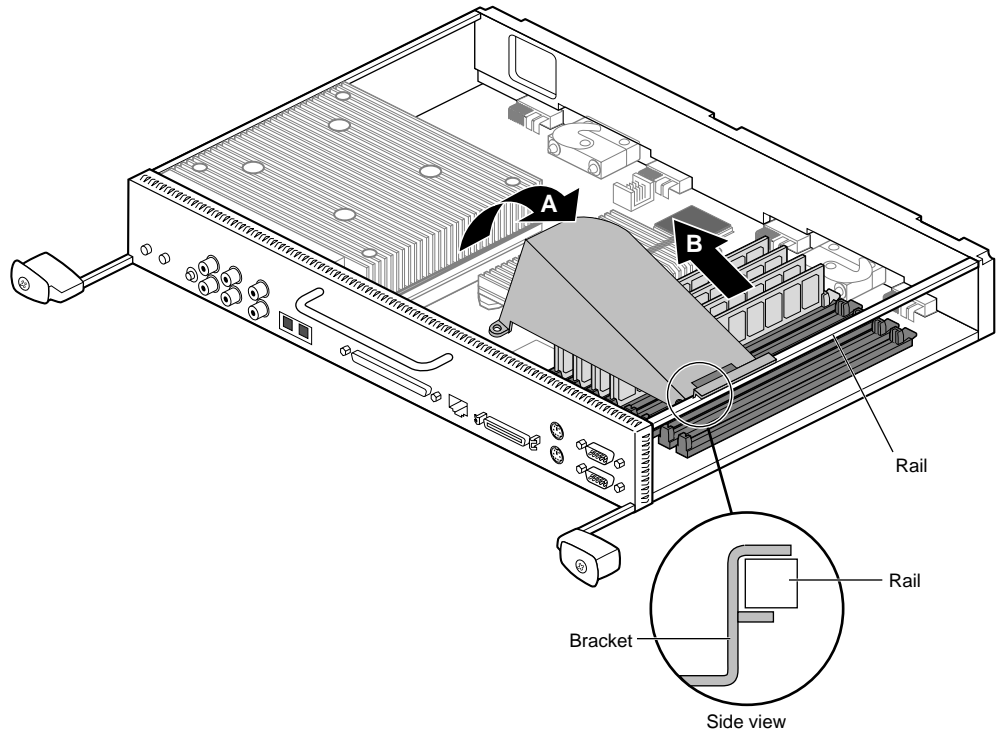


Figure 2 Removing the DIMM Bracket

4. Grasp the edge near the screw, gently raise the bracket off the DIMMs about 1/4 inch (A), and pull the bracket away from the rail (B). The C-shaped edge of the bracket releases.

Caution: Do not use the rail-end of the bracket as a hinge when removing the bracket. Pressure from the foam on the back of the bracket could push the DIMMs sideways and damage them and the bracket.

5. Follow the instructions in the owner's guide to remove or install DIMMs, then return to this flier for instructions on installing the bracket.

Installing the DIMM Bracket

After installing or removing DIMMs, install the DIMM bracket.

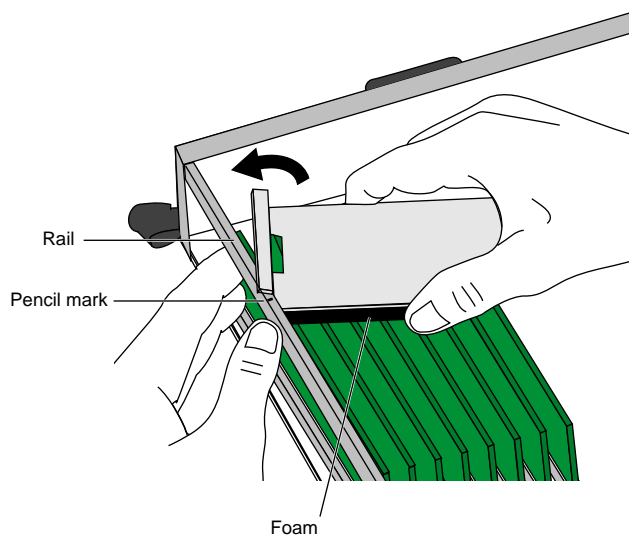


Figure 3 Determine the Angle and Placement of the Bracket

Caution: The foam pad on the underside of the bracket is necessary to hold the DIMMs in place, but difficult to slide over the DIMMs without pushing them sideways. Too much sideways tilt damages them.

1. Before installing the bracket, estimate where the bracket will lay along the rail after it is installed, and place a pencil mark on the rail. You need the mark for angling the corner of the bracket onto the rail so that you do not have to slide the bracket sideways after it rests on the rail. The foam pad presses on the DIMMs and sideways movement is difficult.
2. Place your finger on the DIMM closest to the rail to act as a brace when the bracket is inserted.
3. Angle the bracket and align it with the mark so the corner of the bracket and foam pad are the first to make contact with the rail and DIMMs.
4. Continue to support the DIMM while turning the bracket until it is locked to the rail.

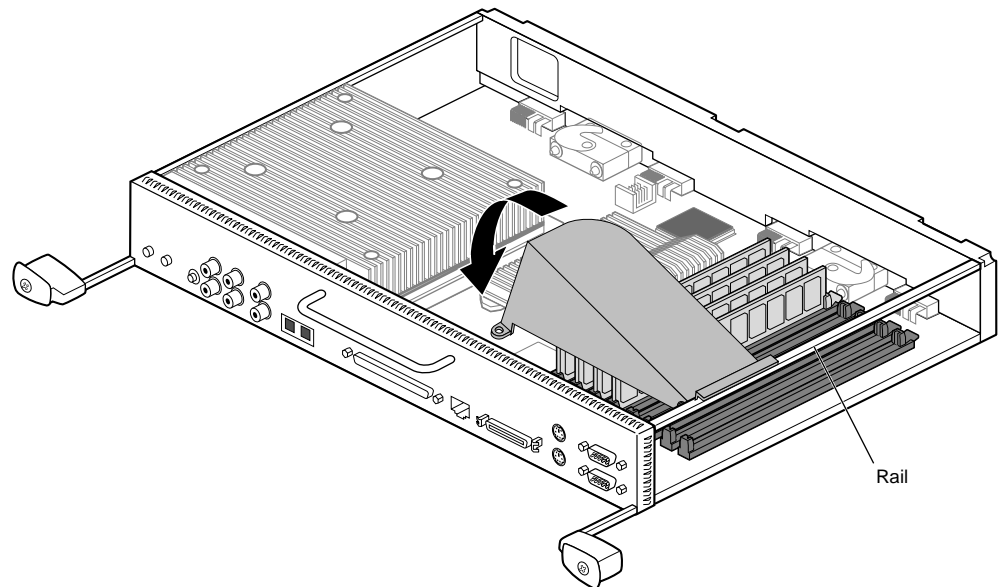


Figure 4 Placing the Bracket Over the DIMMs

5. Gently lower the bracket over the DIMMs until the screw holder rests on the system board and is aligned with the screw hole on the board.

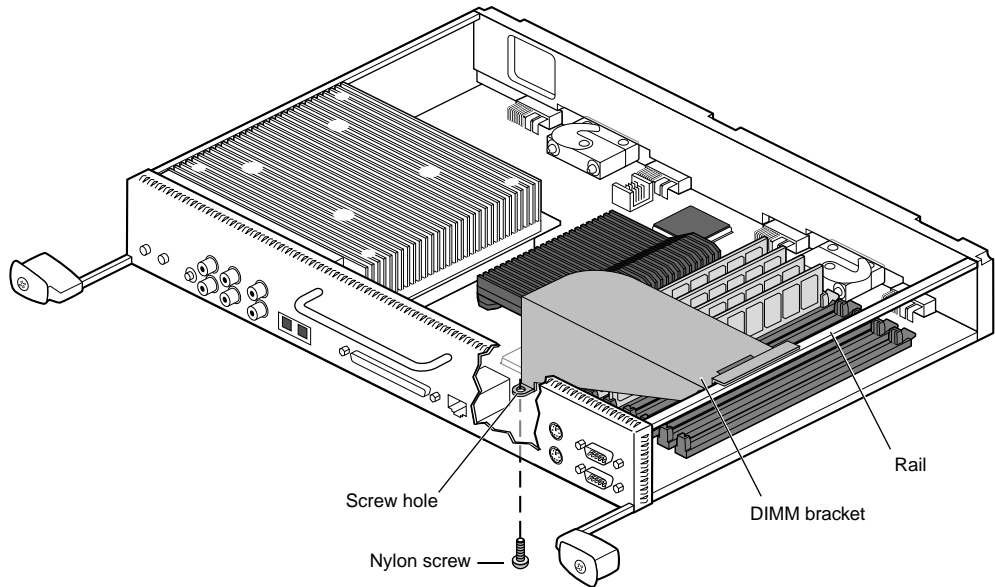


Figure 5 Inserting the Screw

6. Hold the bracket in place and turn over the system module. Take care not to press downward on the DIMMs.
7. Insert the nylon screw into the screw hole on the underside of the system module. Using a Phillips screwdriver, tighten the screw until the bracket is securely attached to the system board.

Note: If the screw is lost, it must be replaced with a nylon screw.

Continue with the instructions in the owner's guide to replace the system module.